



Bauanleitung

**Building
Instructions**

NASA

**support for
30 years of Space Shuttle**

Maßstab

1:220

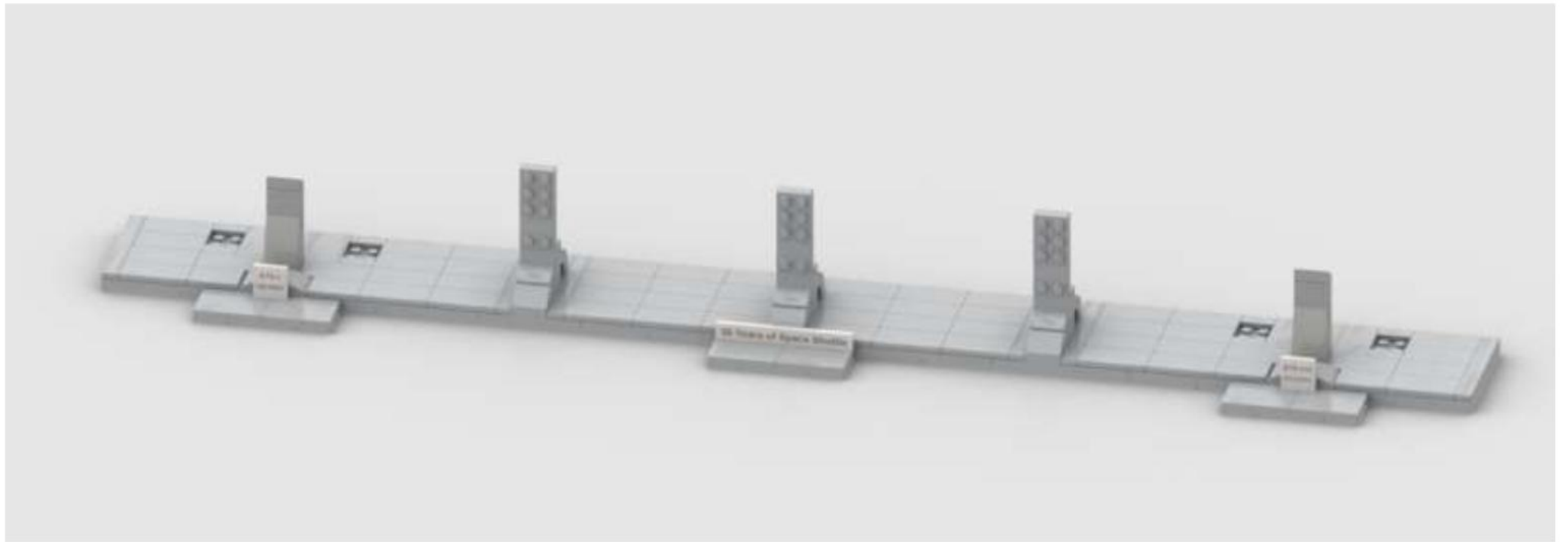
Scale

Januar

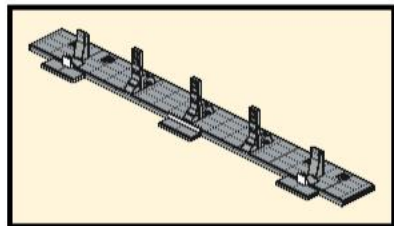
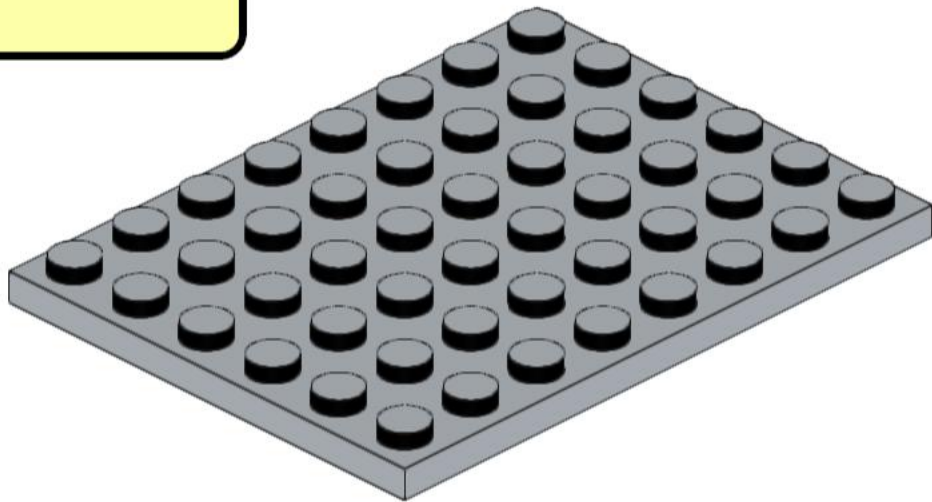
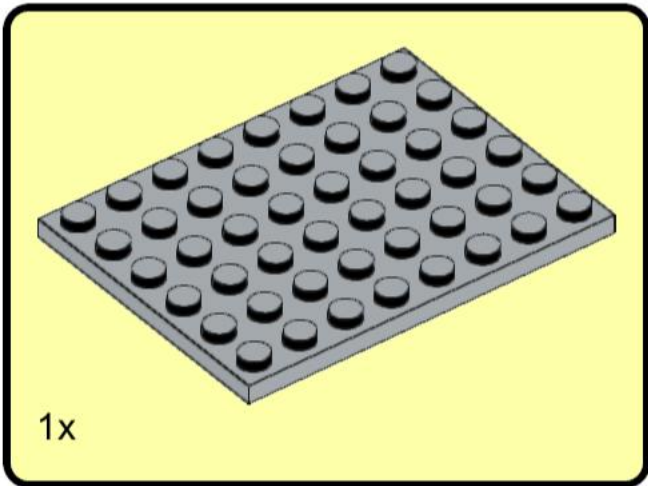
2021

January

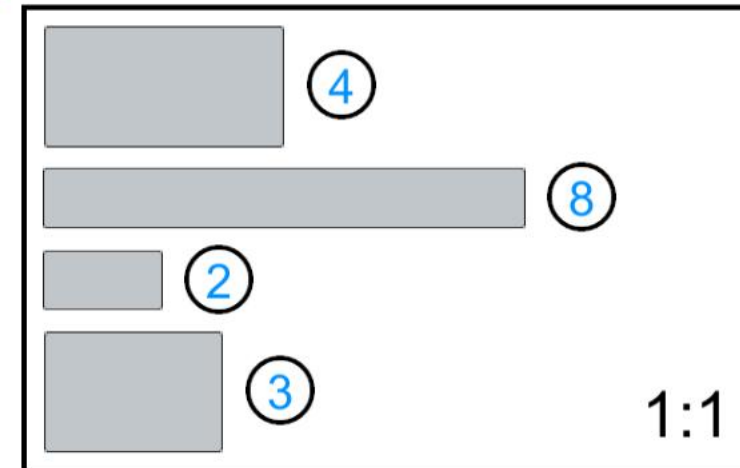
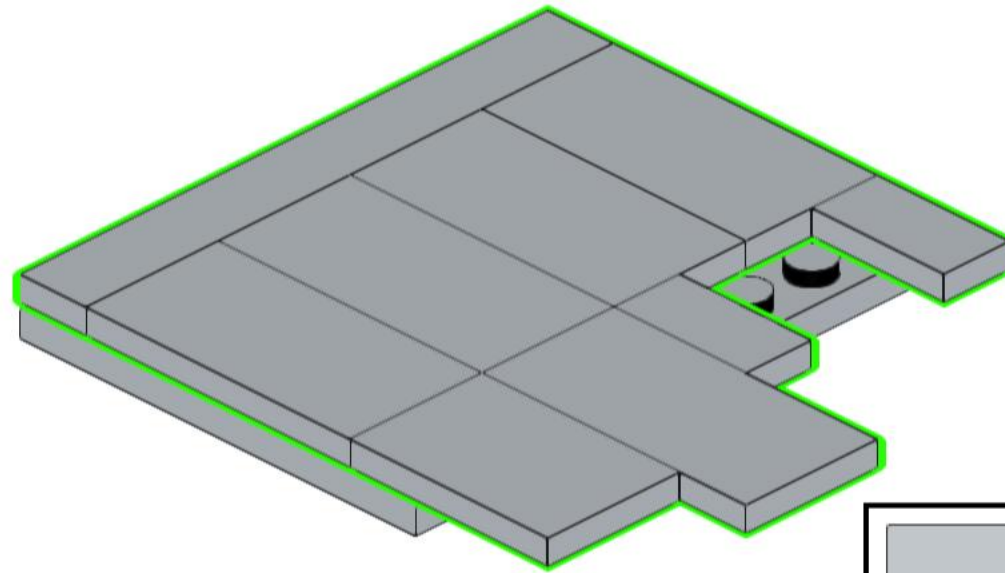
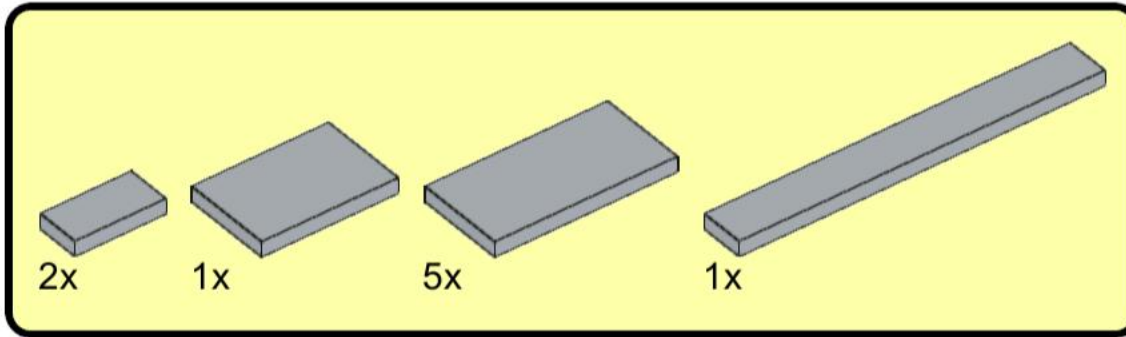
© 2021 Harald Kränzel



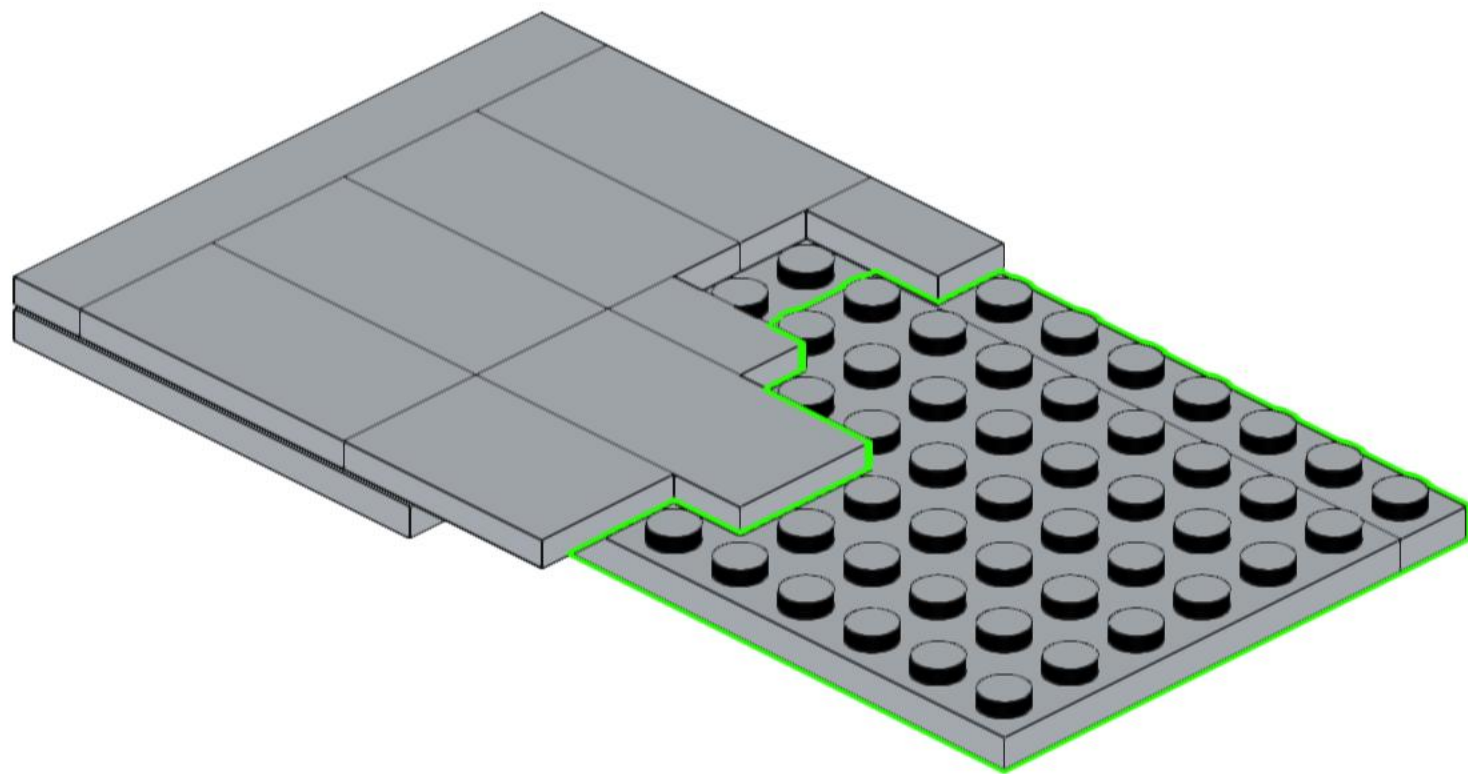
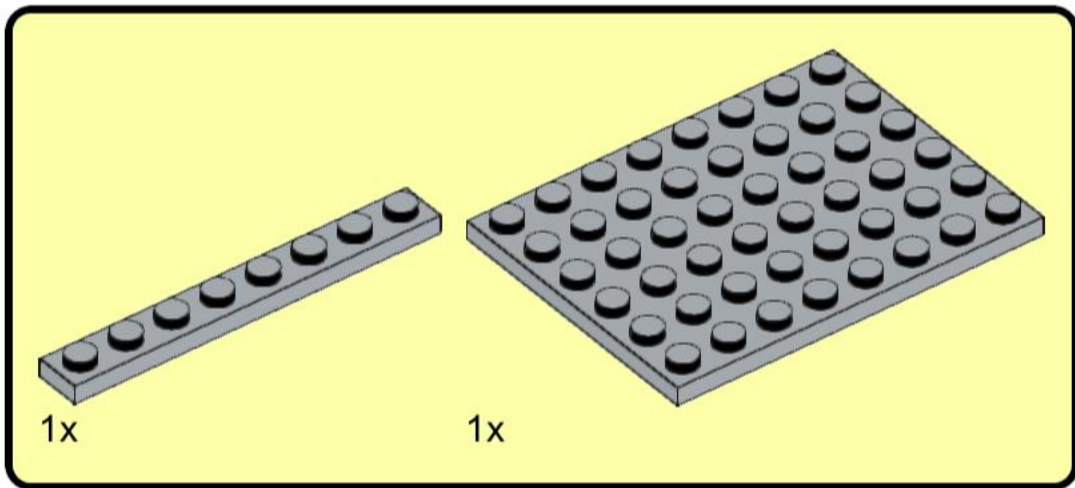
1



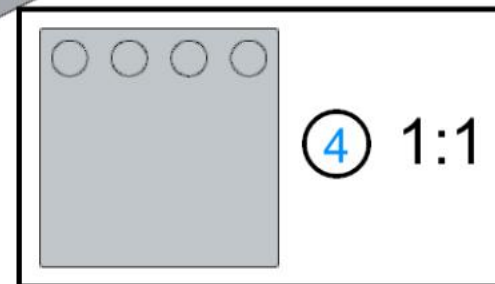
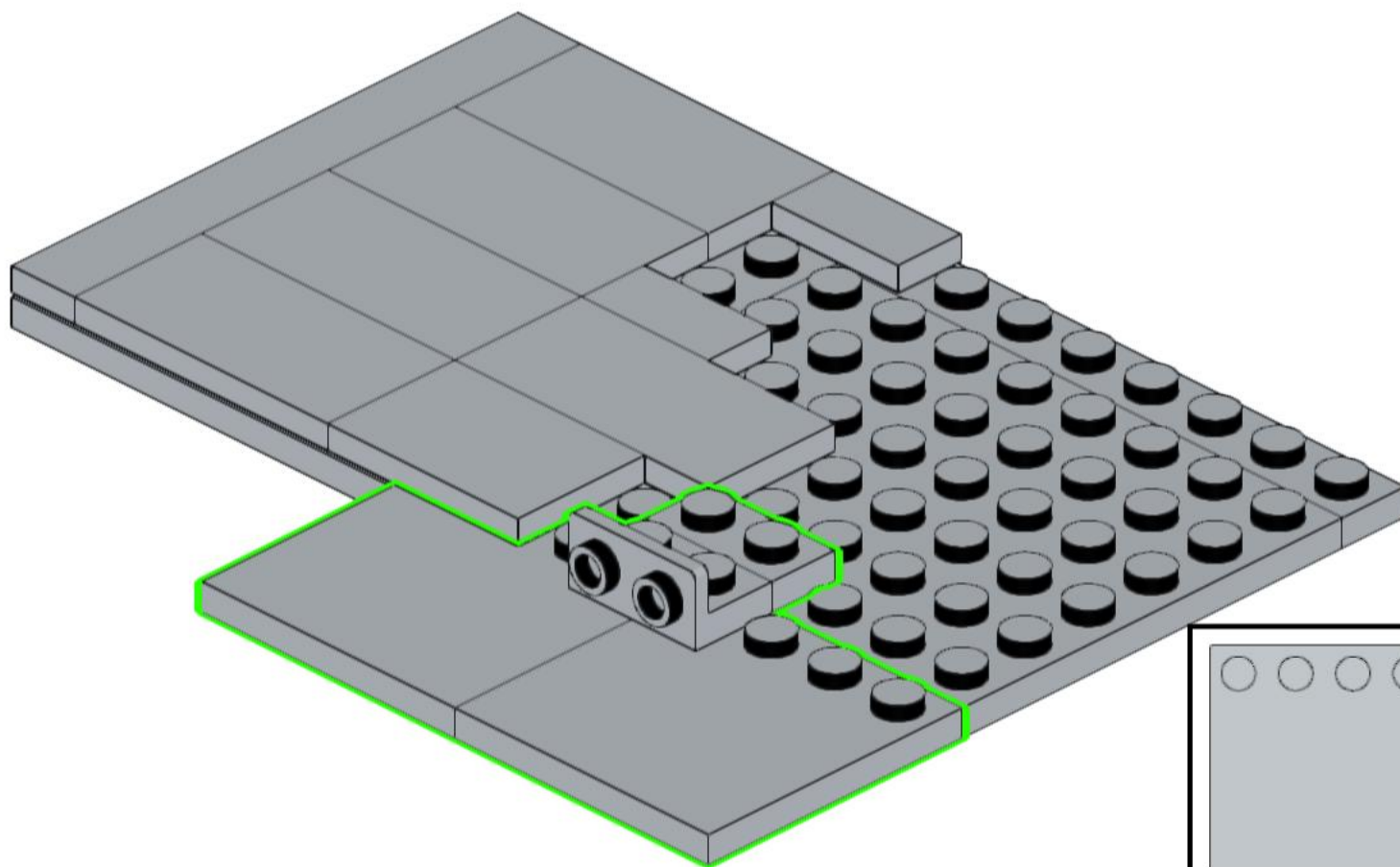
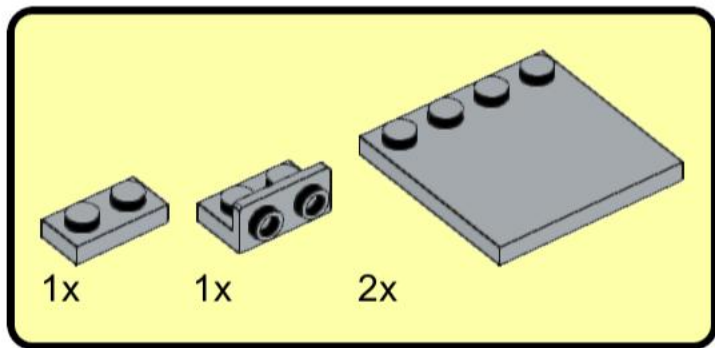
2



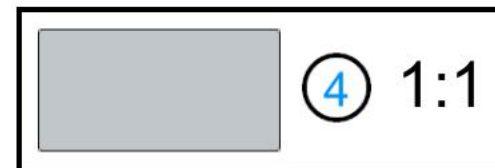
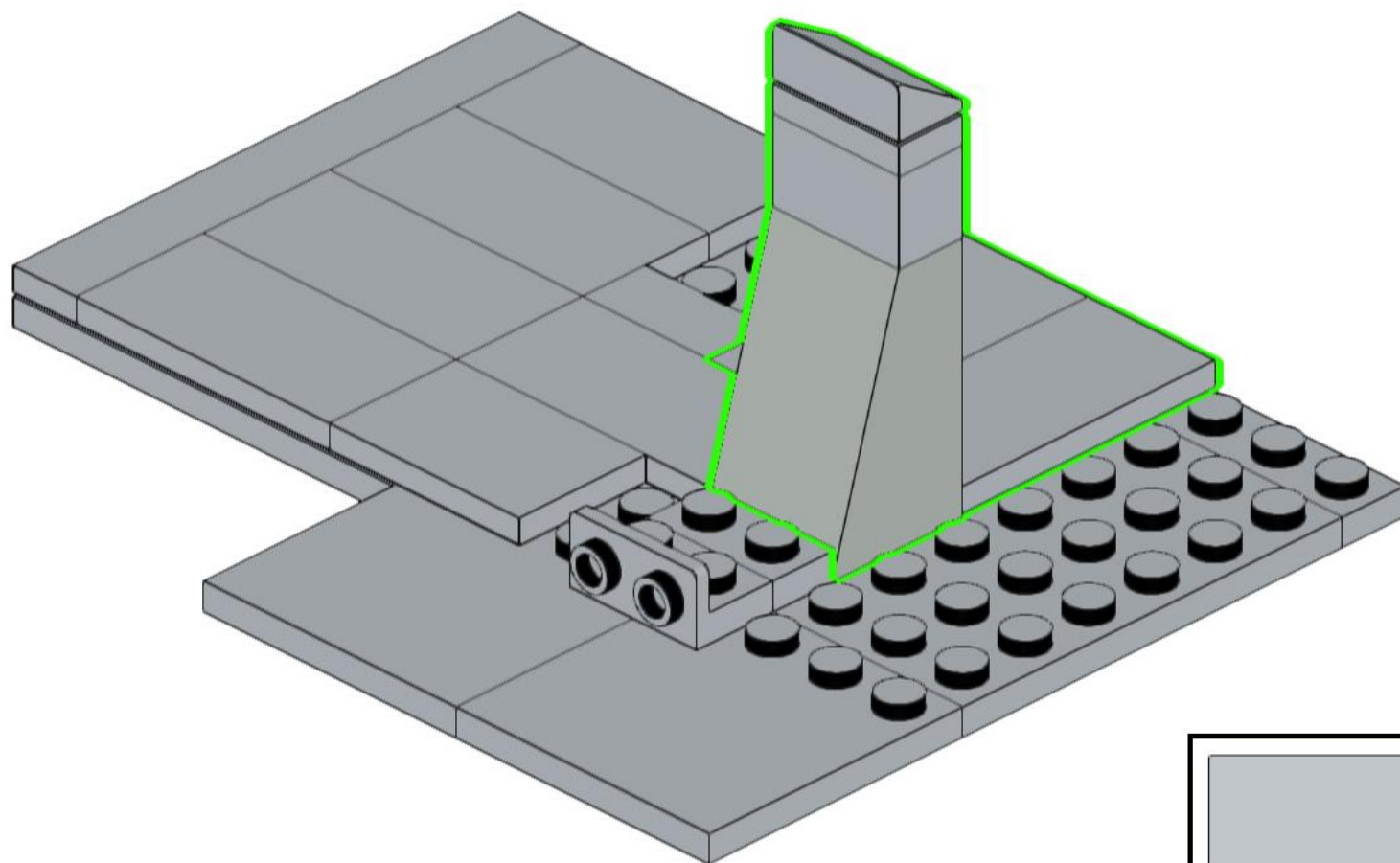
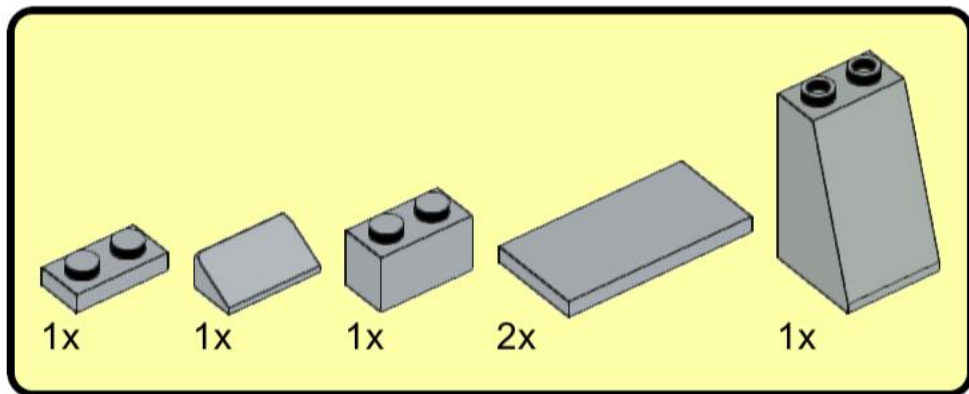
3



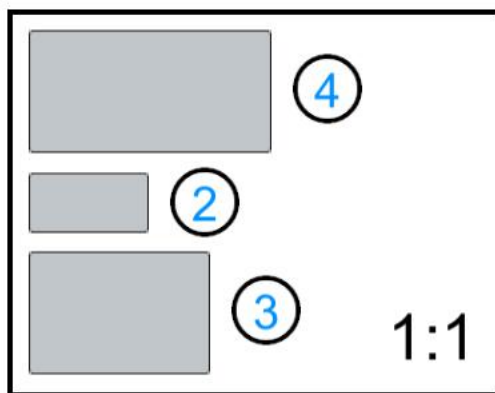
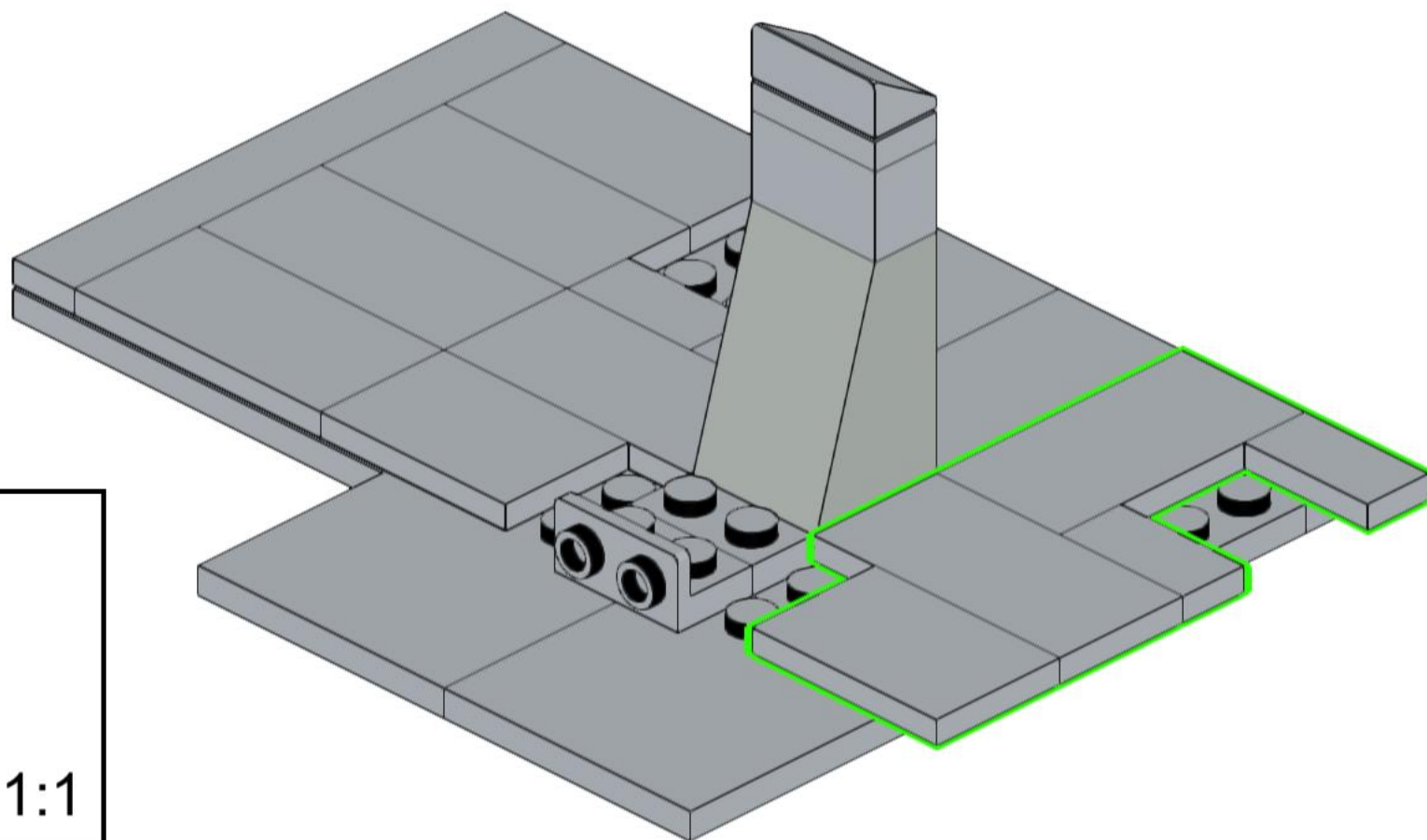
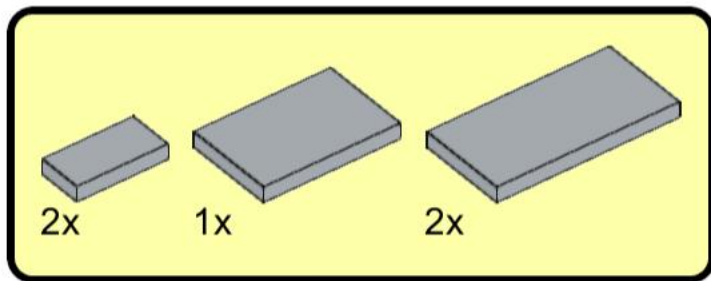
4



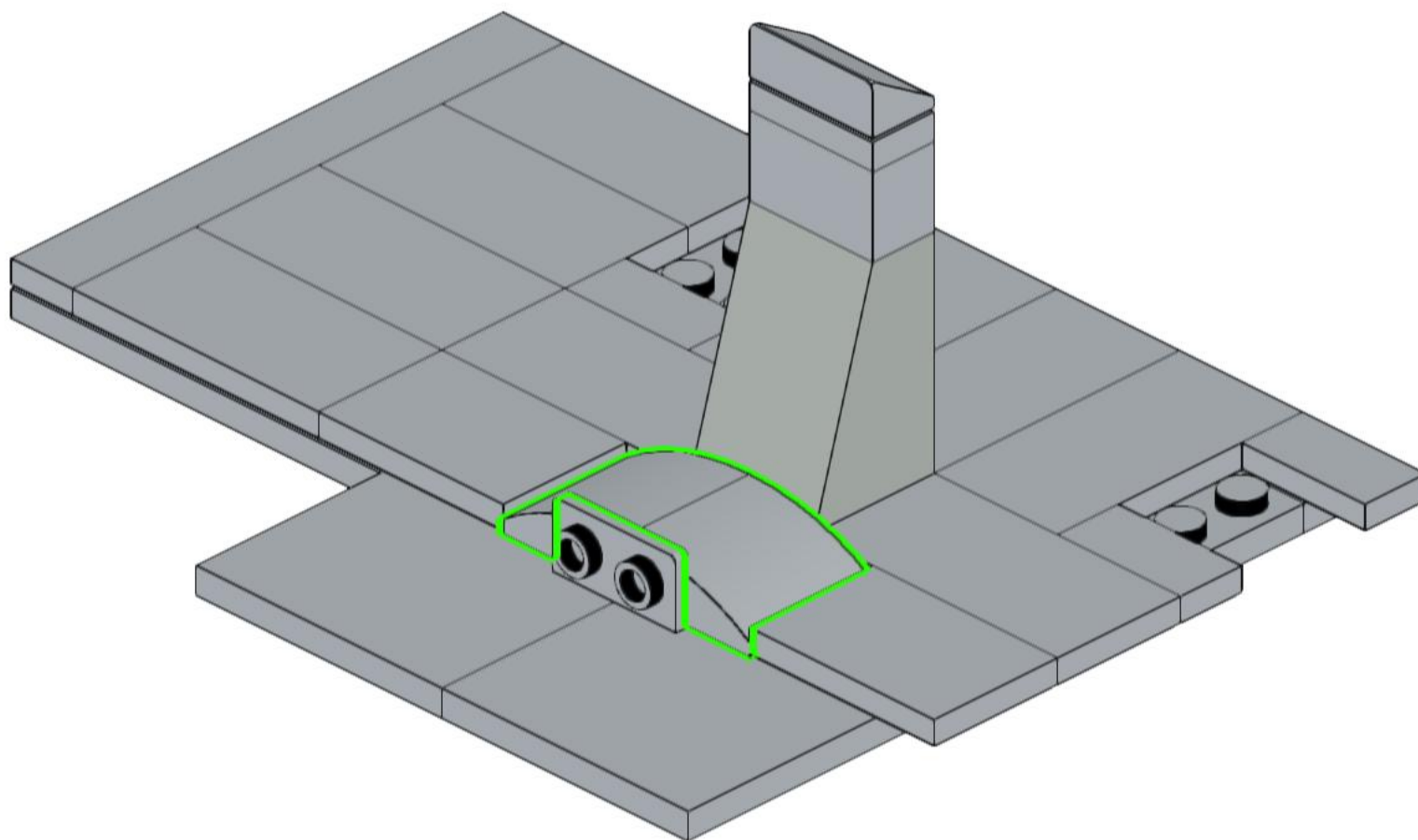
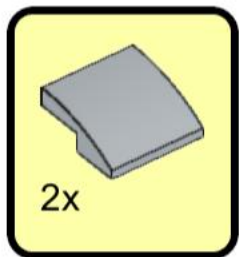
5



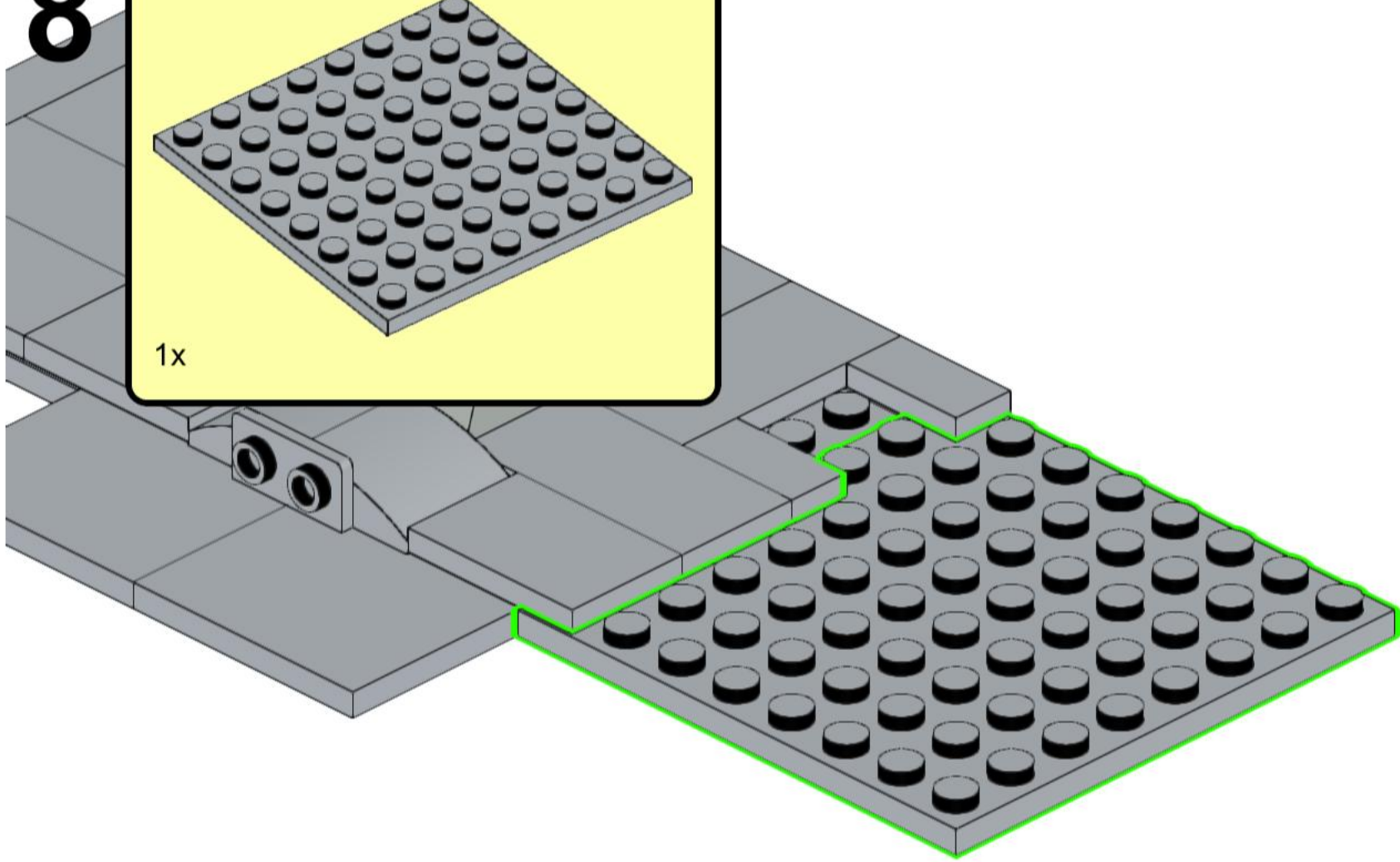
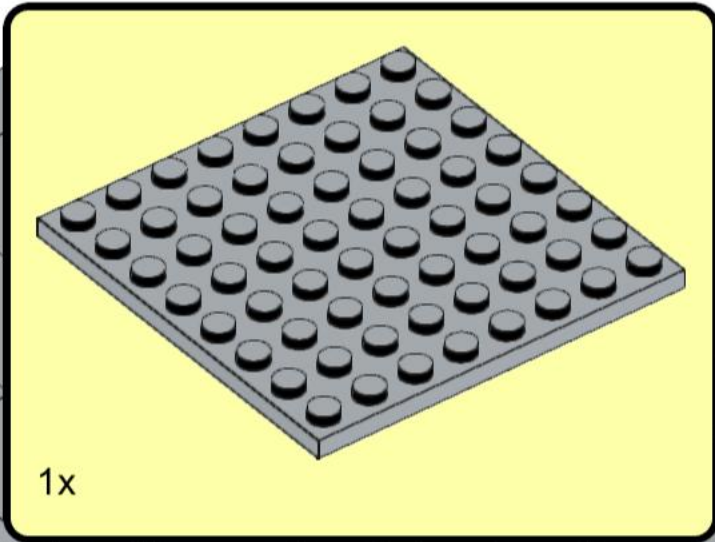
6



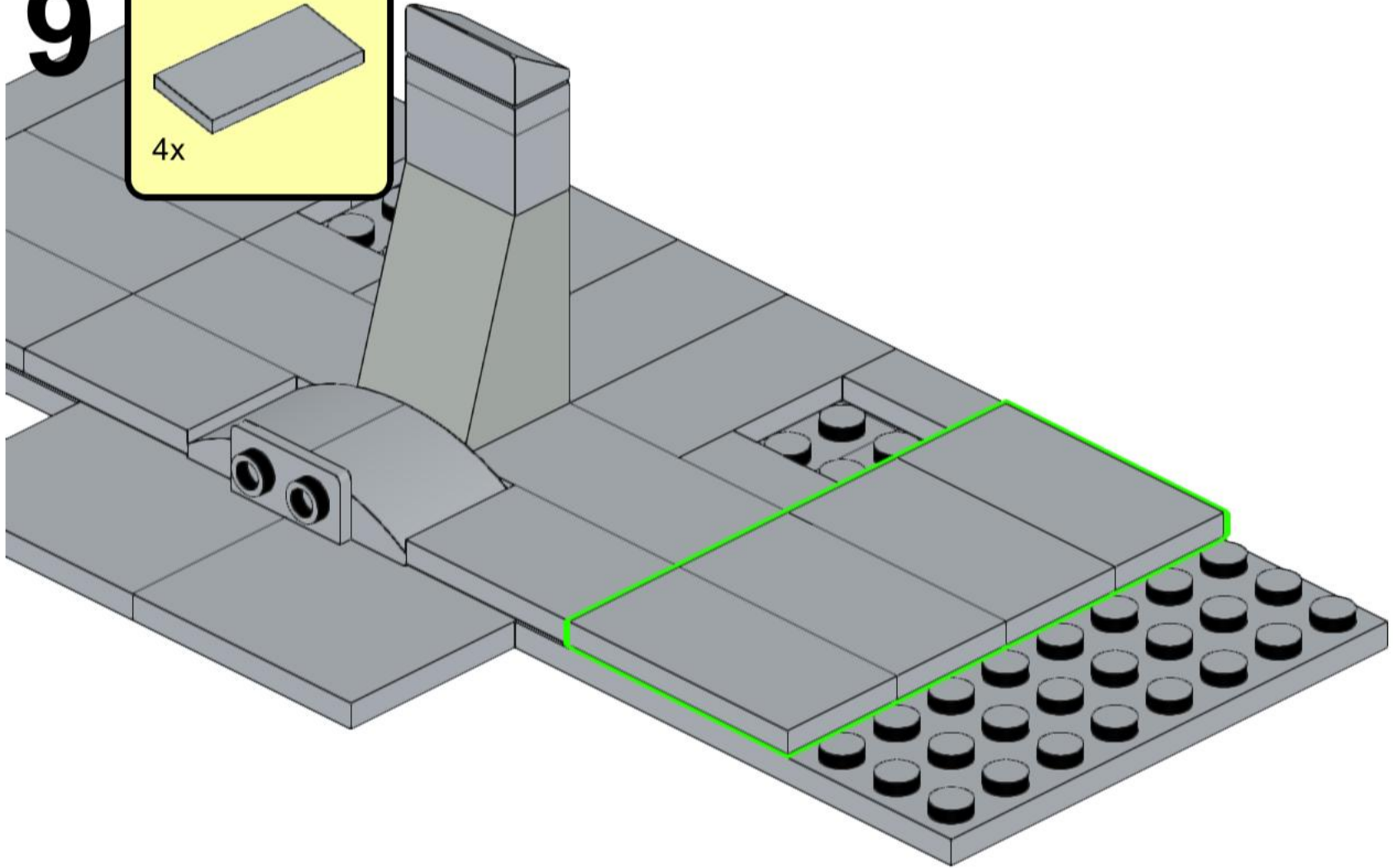
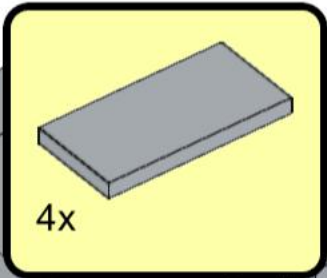
7



8

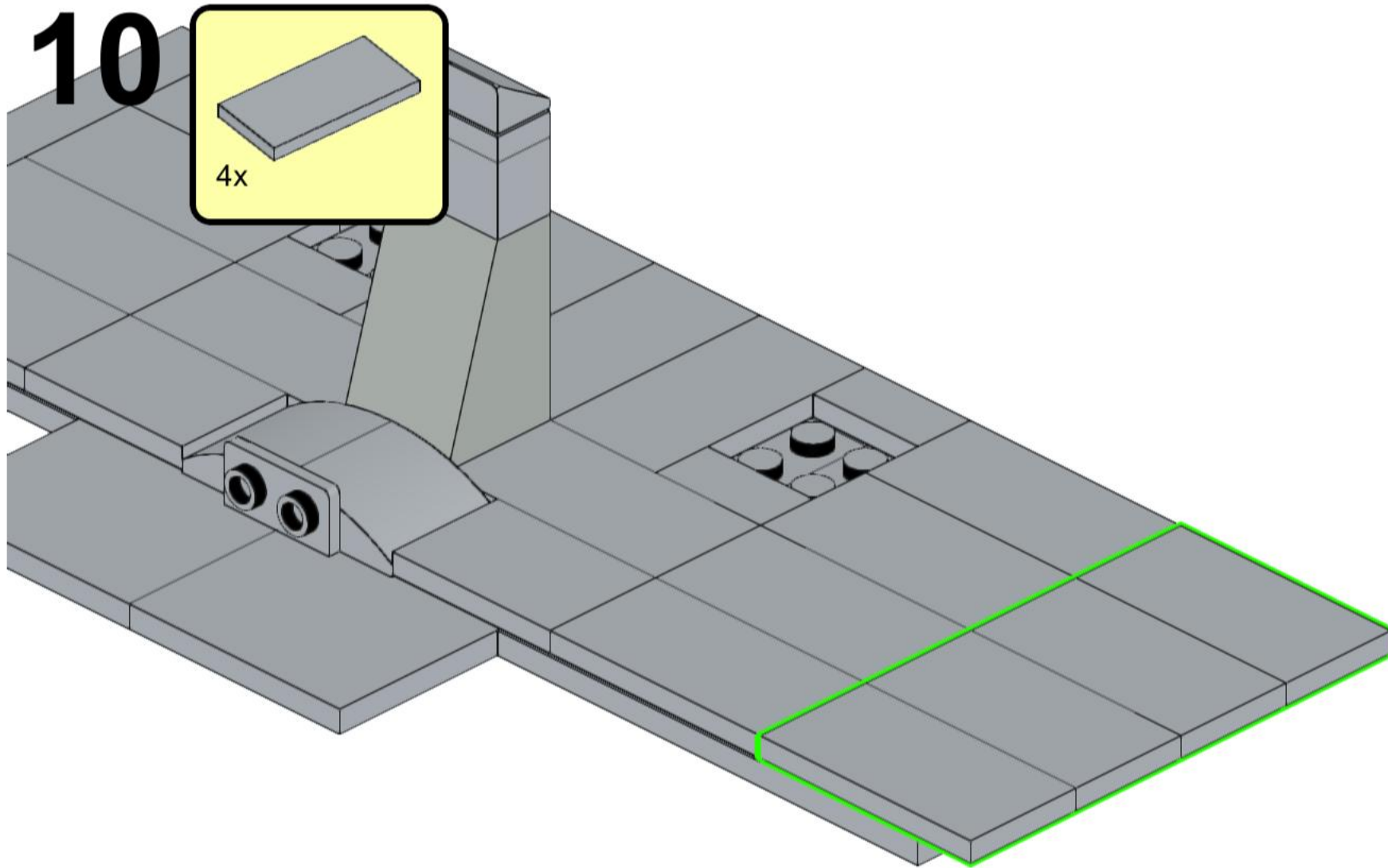
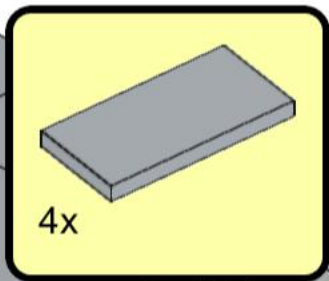


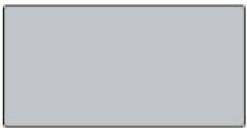

9



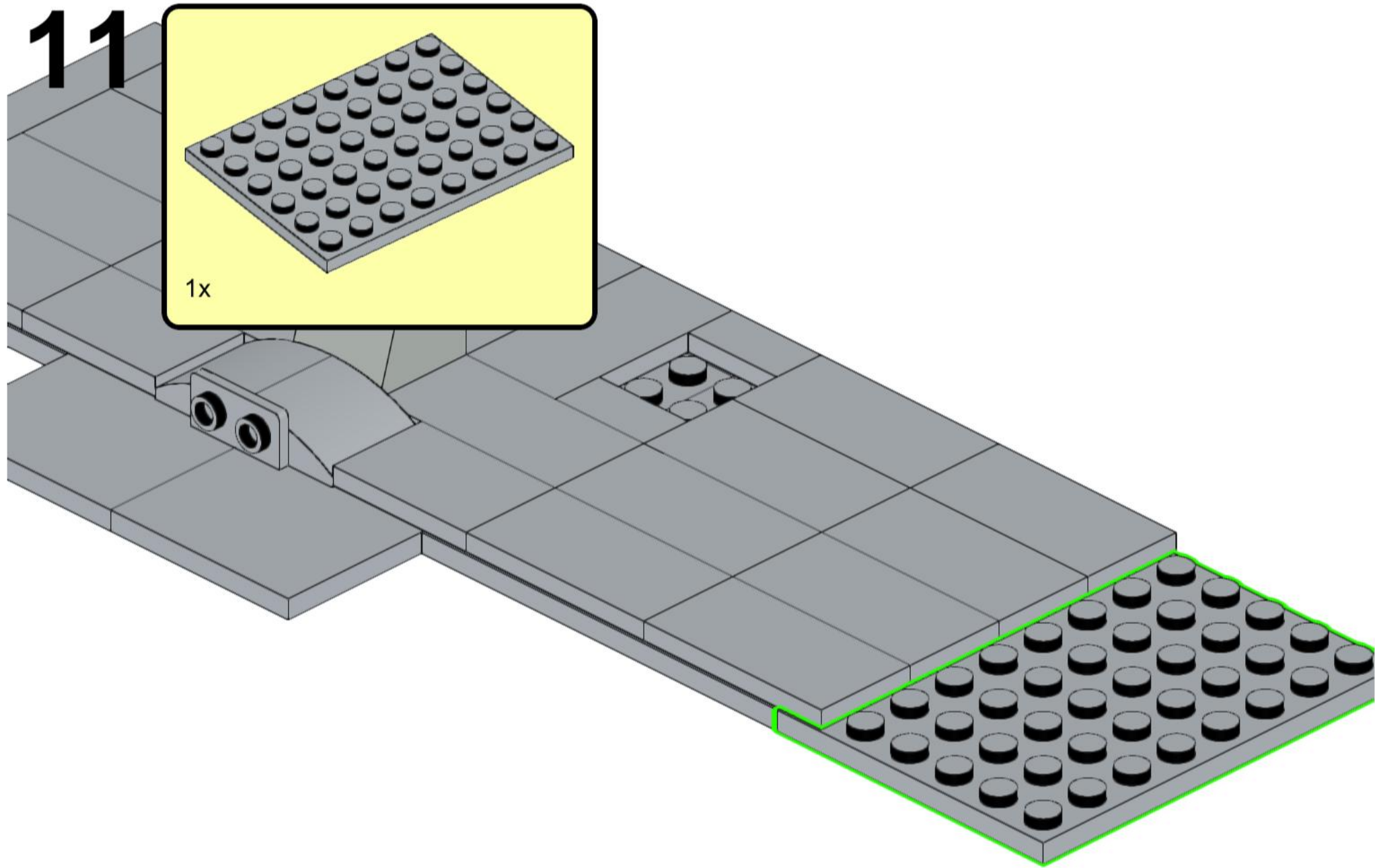
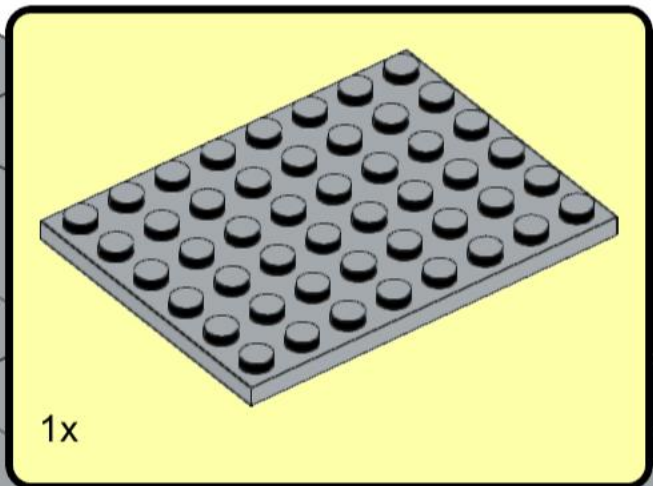
	4 1:1
---	---

10

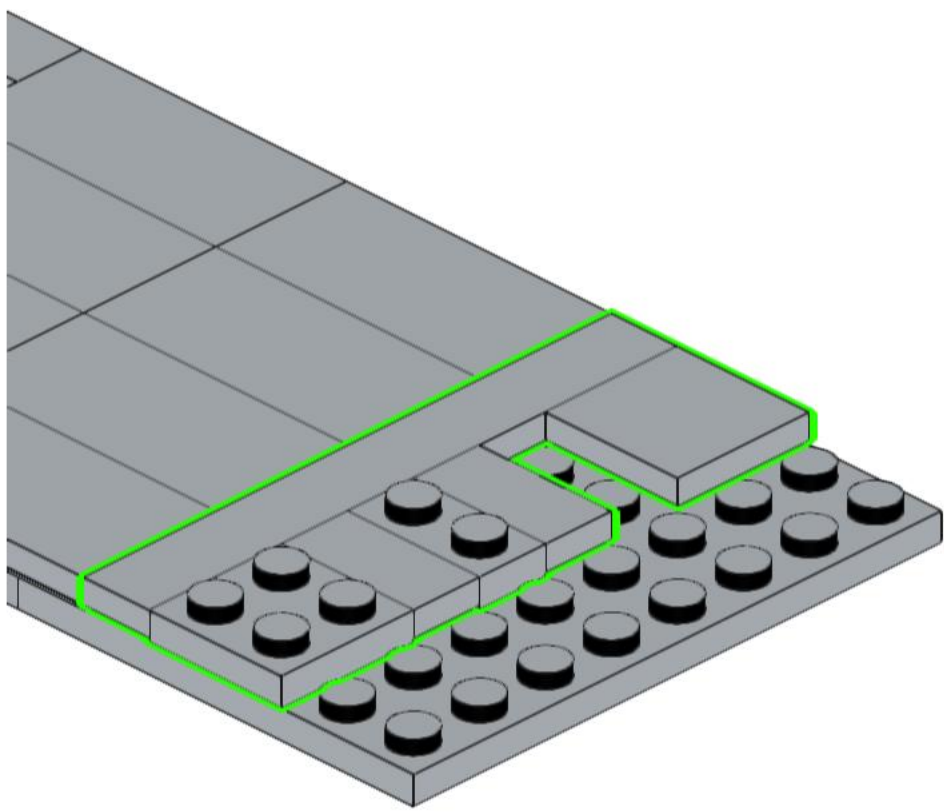
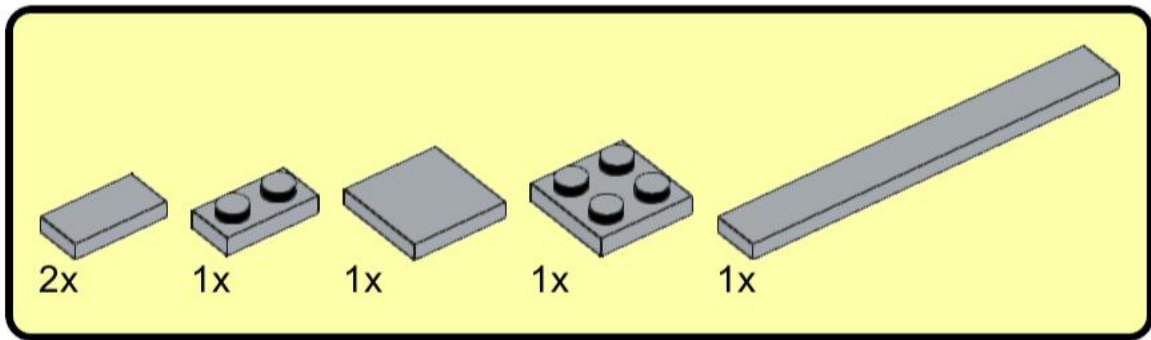




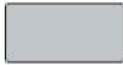
		1:1
---	---	-----

11

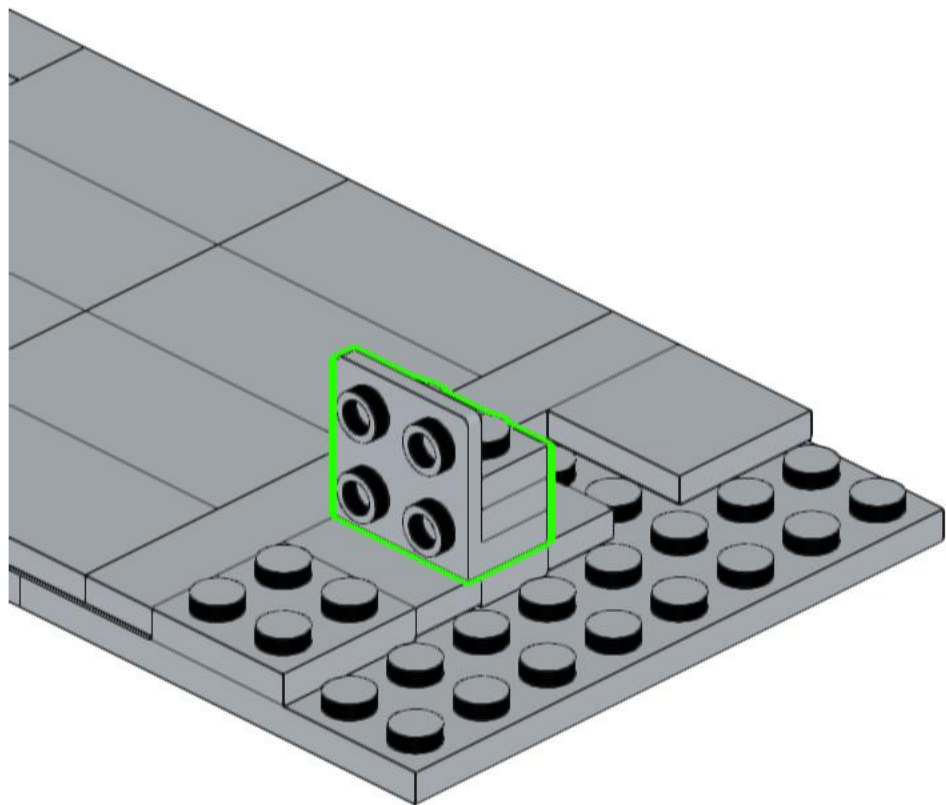
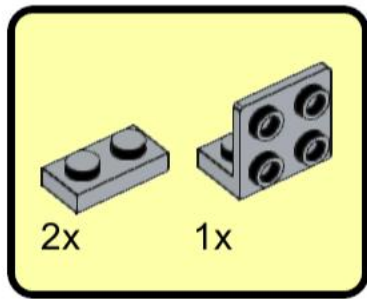


12

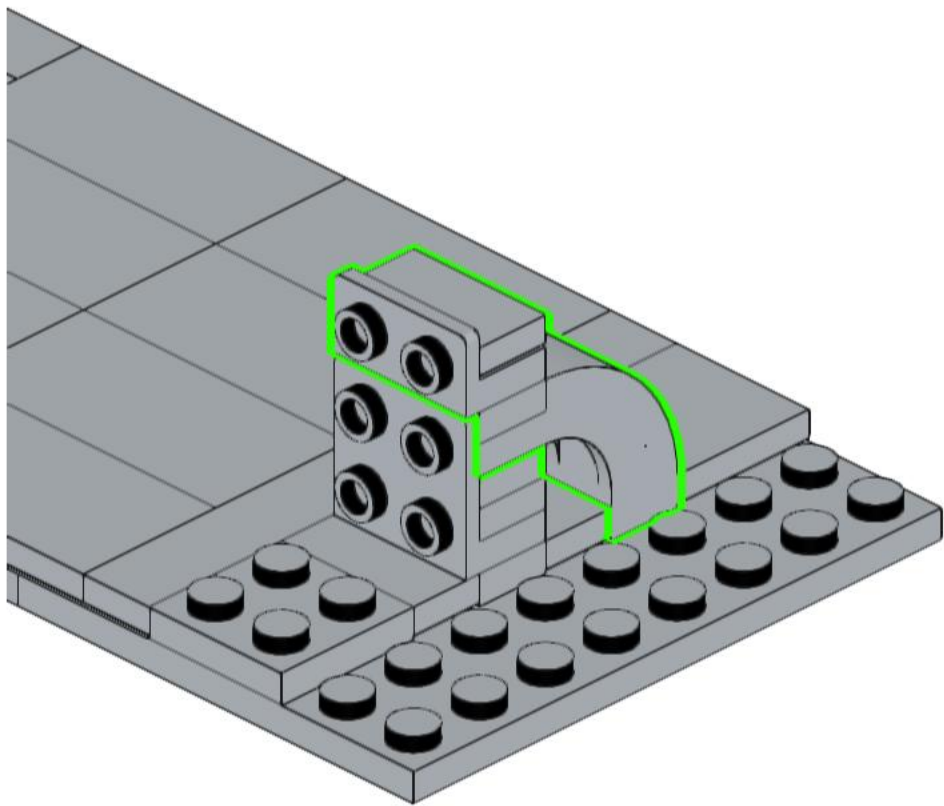
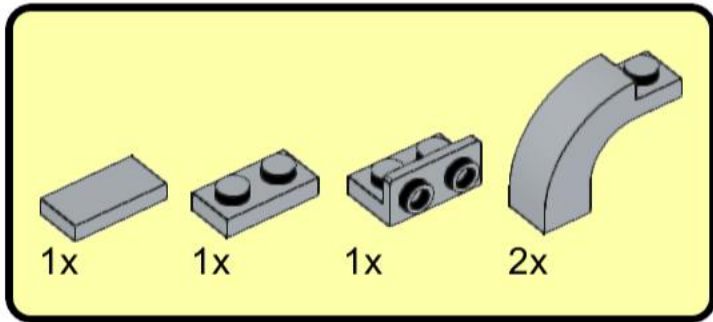


	8
	2
	2
1:1	

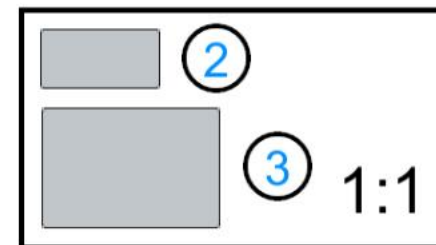
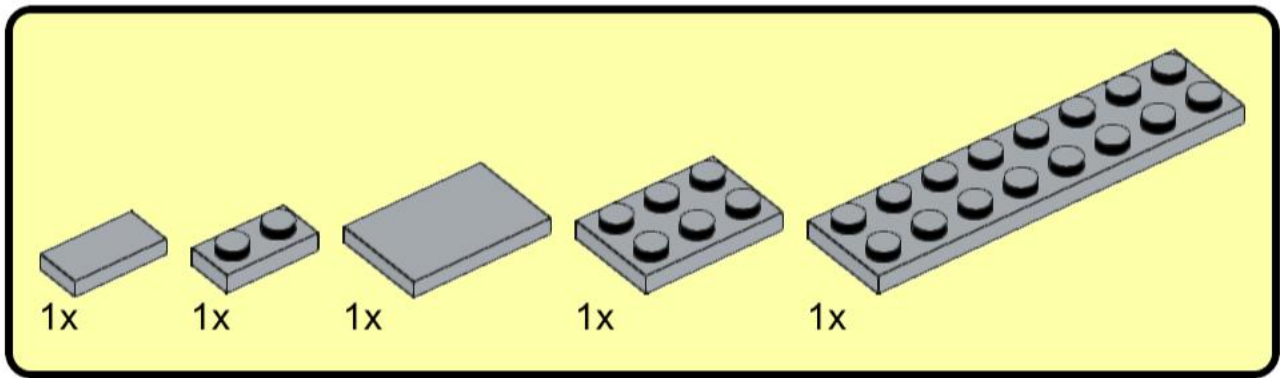
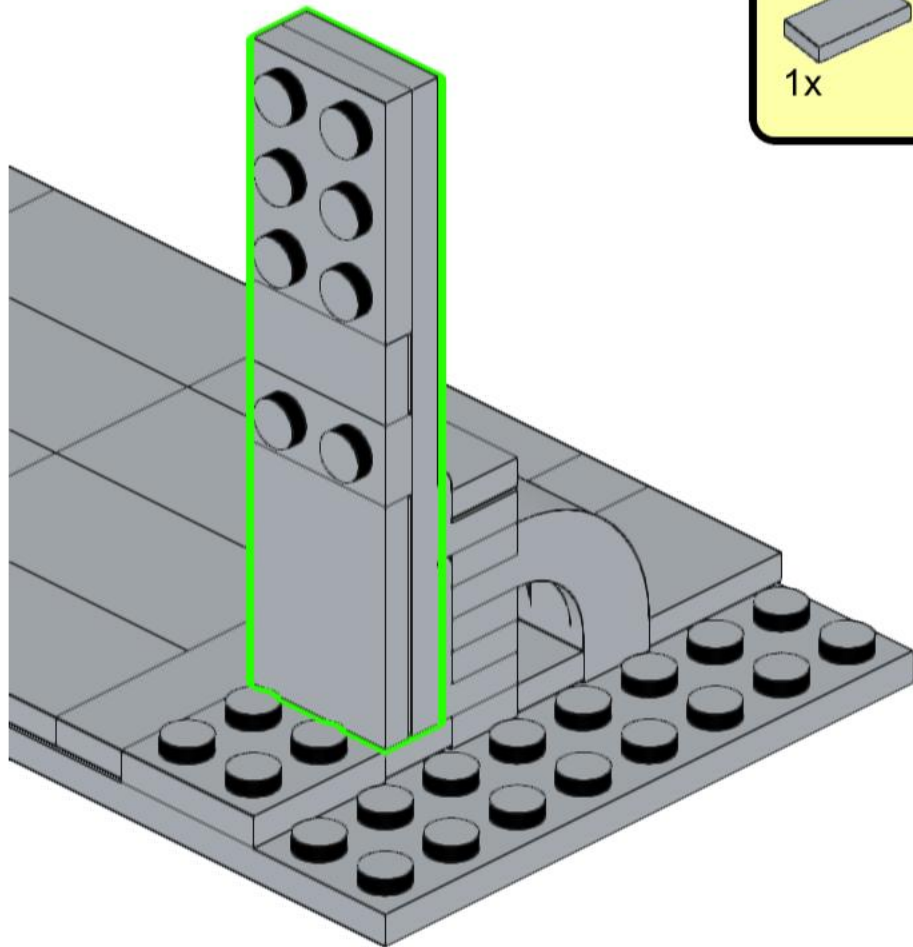
13



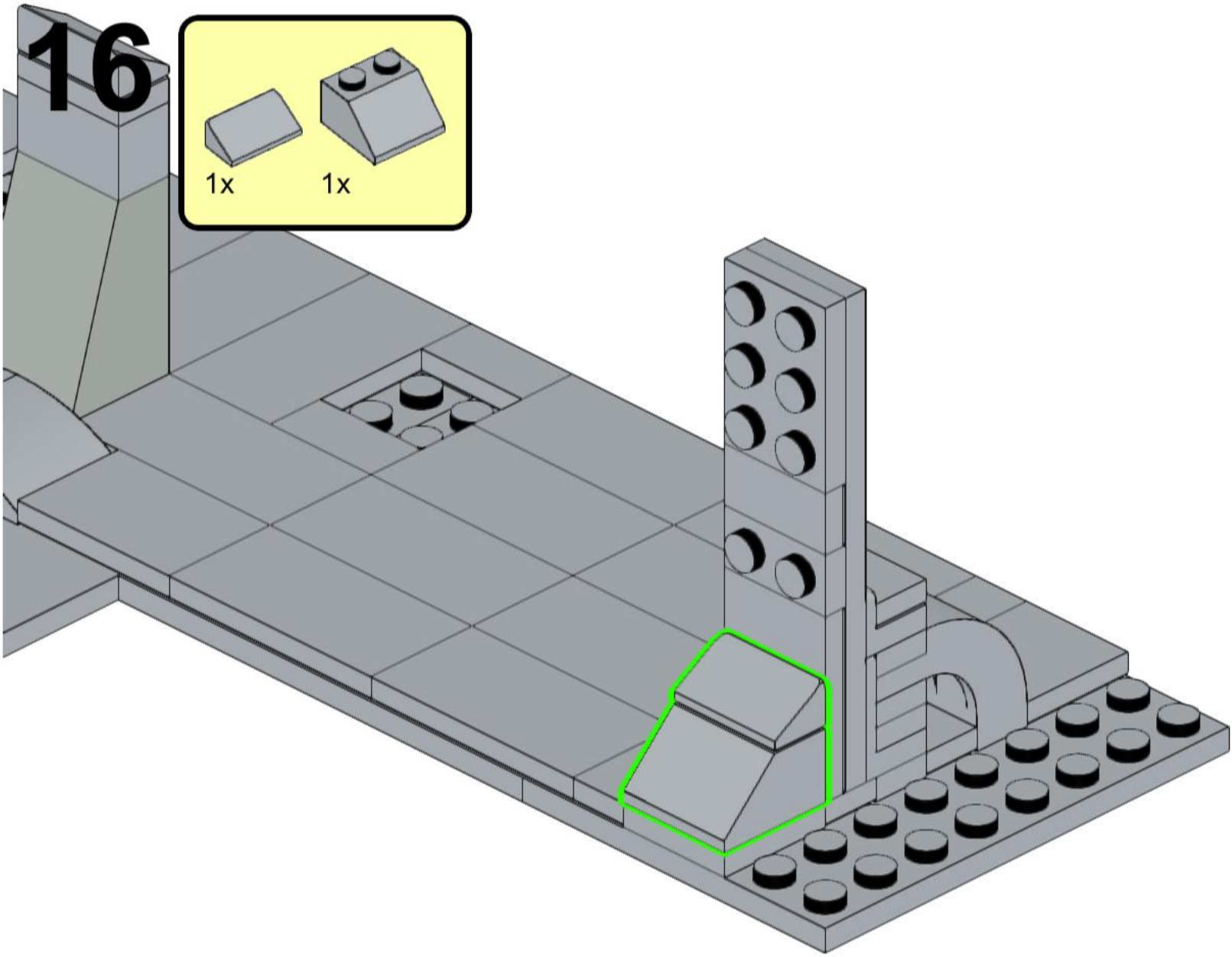
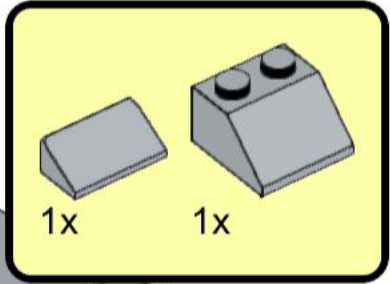
14

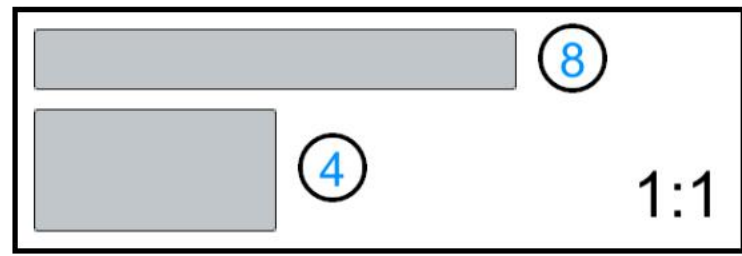
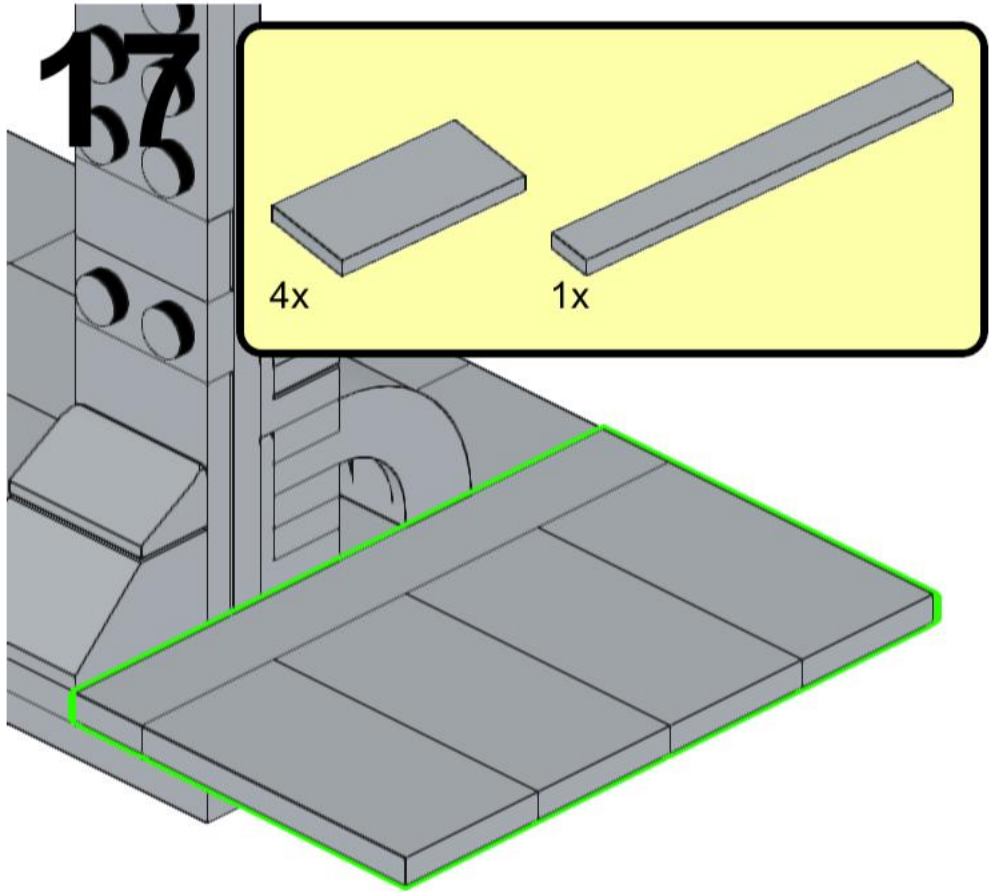


15

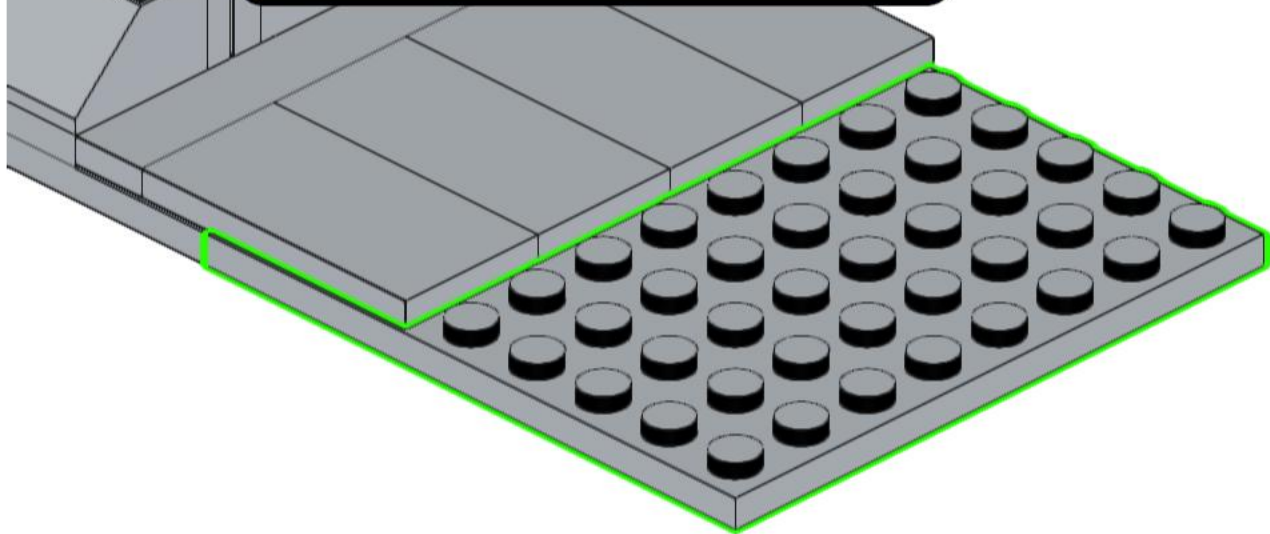
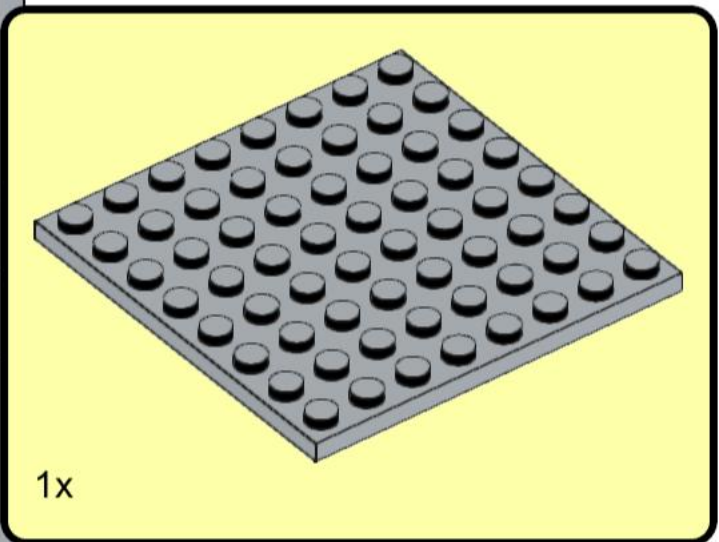


16

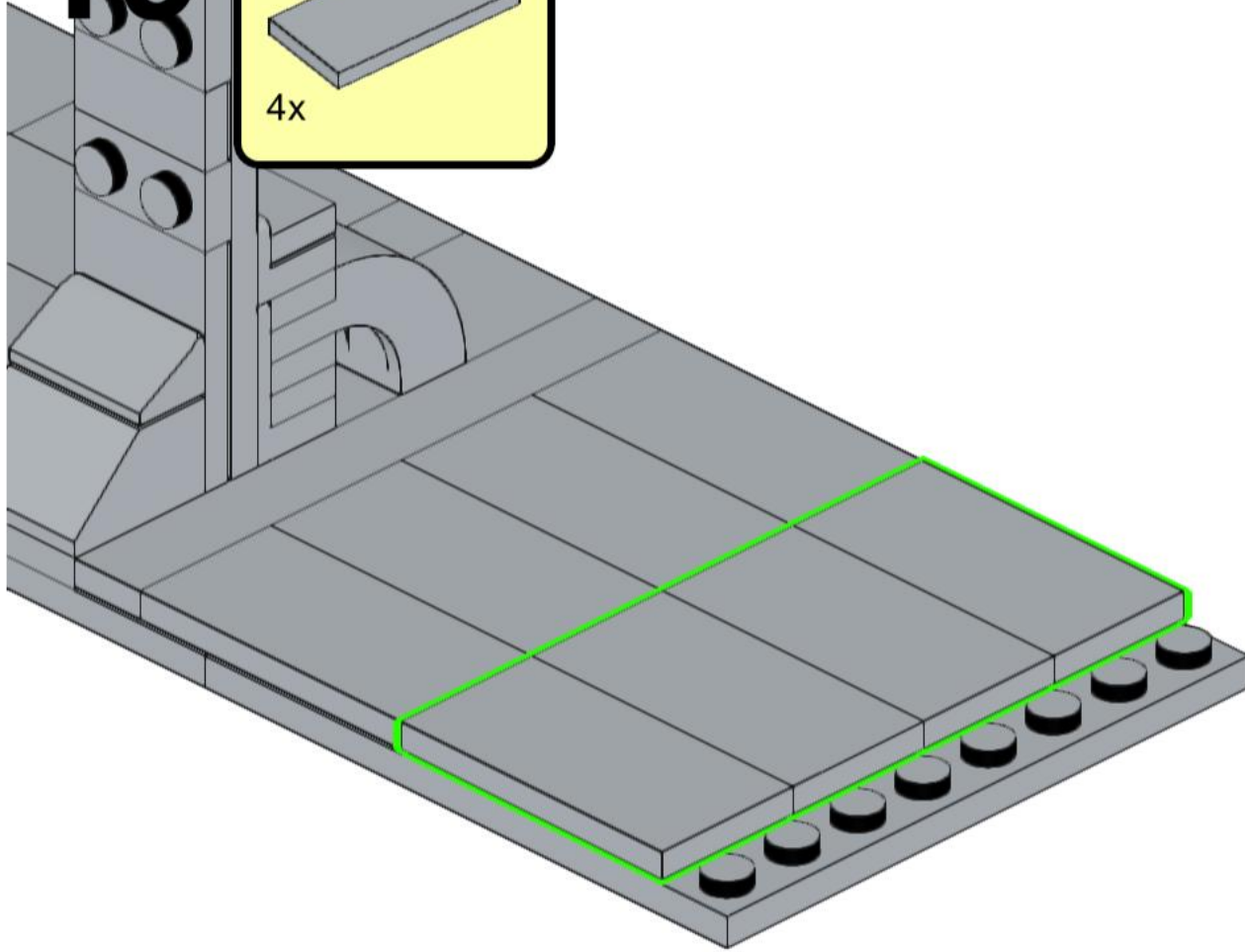
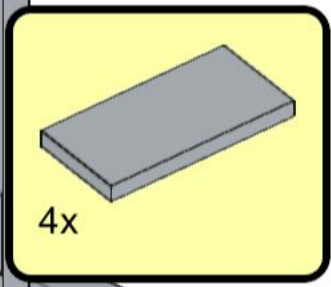




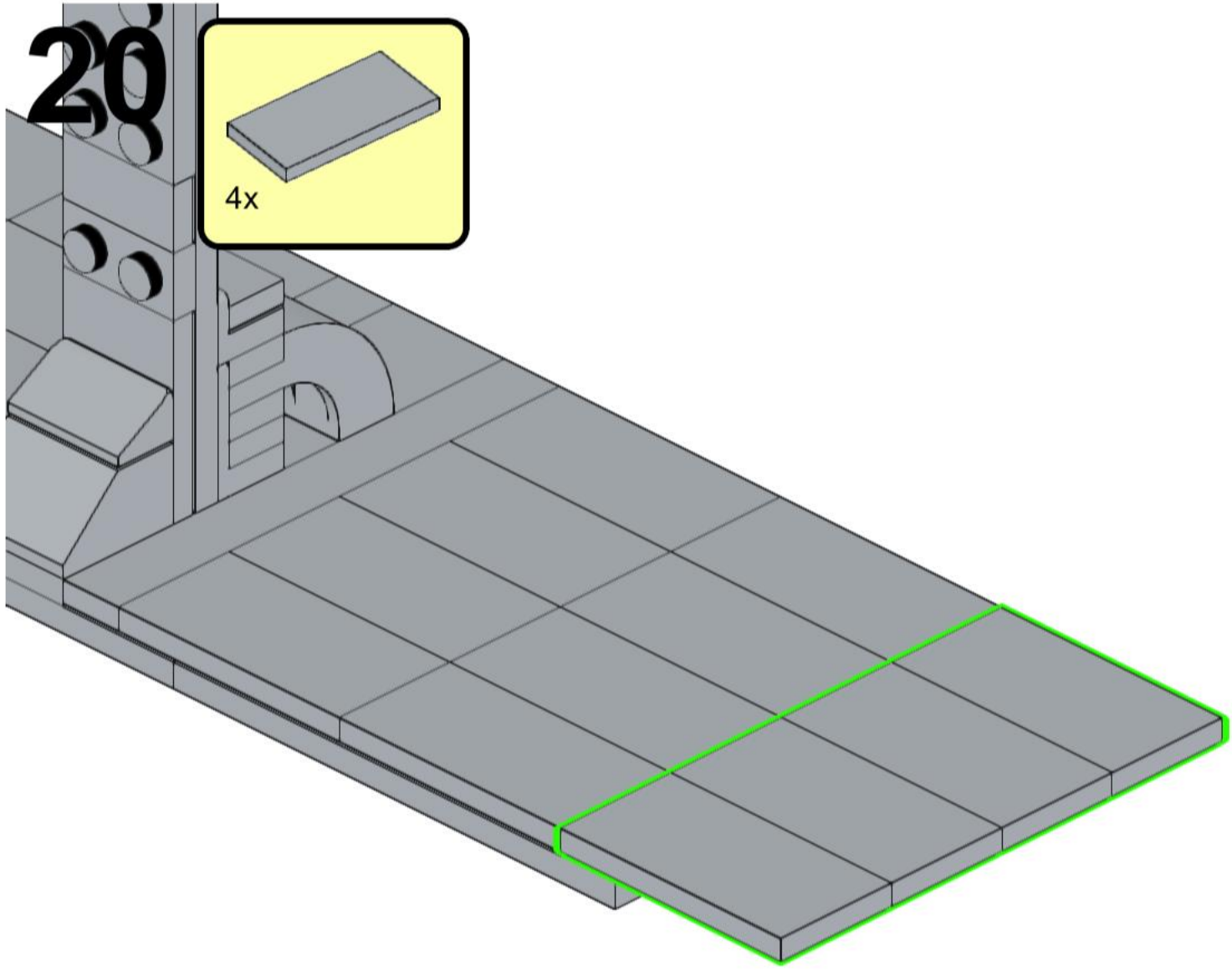
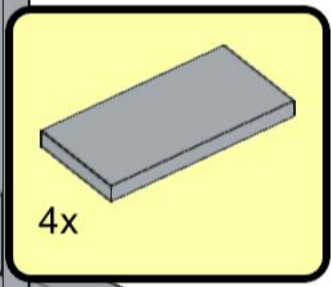
18



19

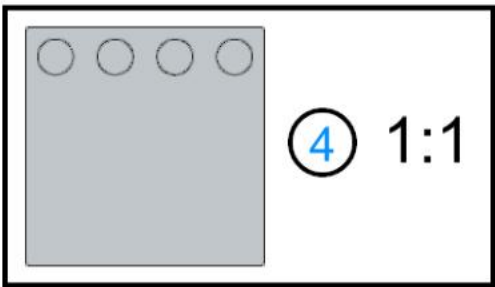
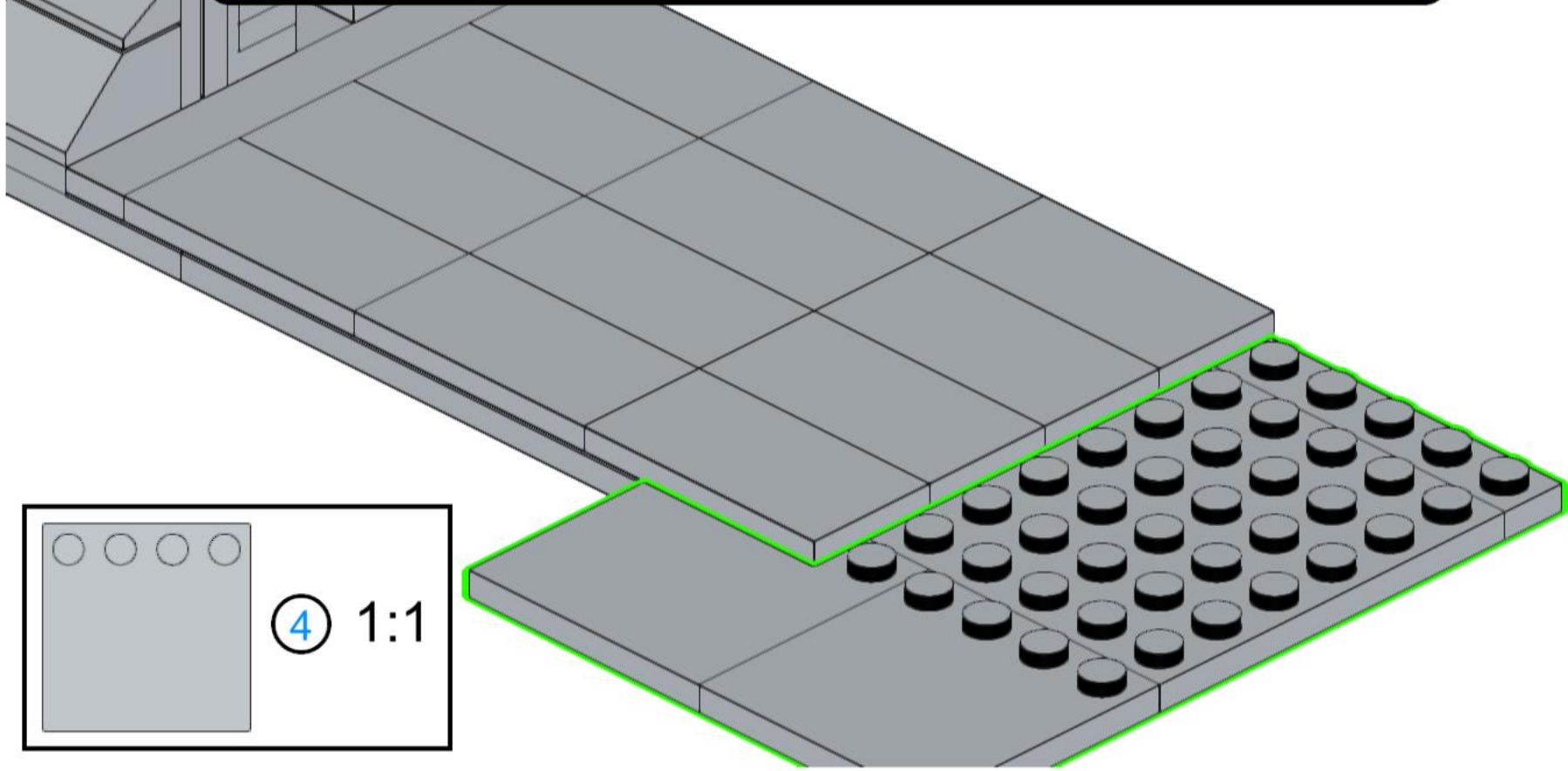
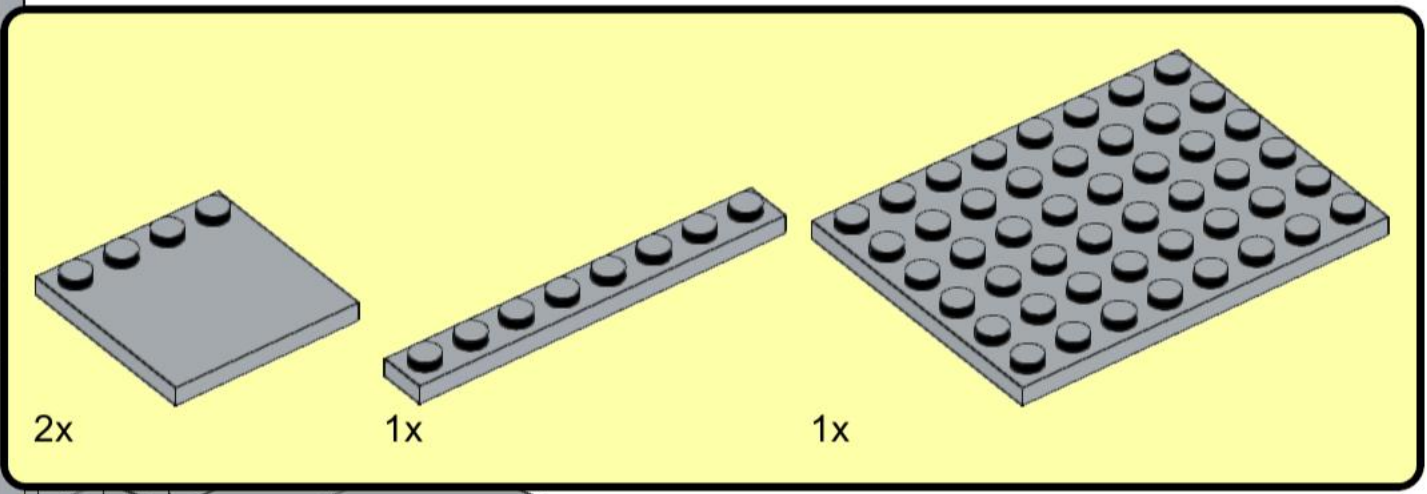


20

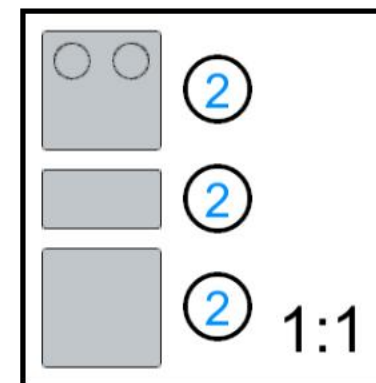
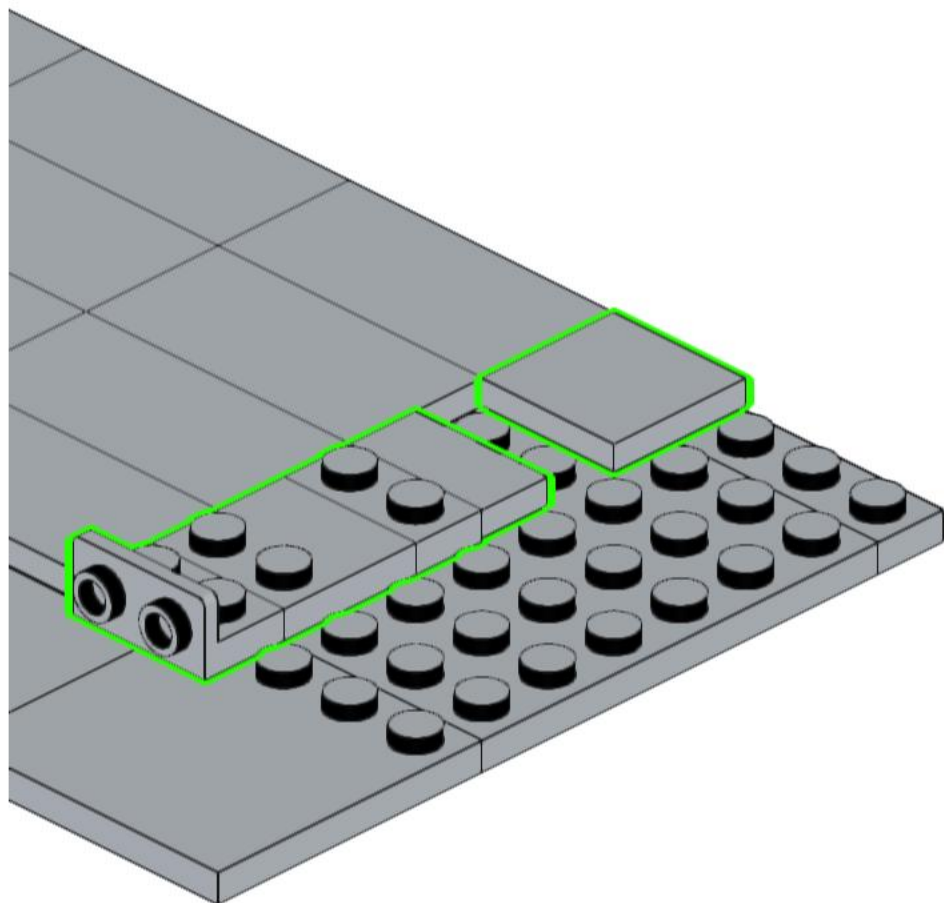
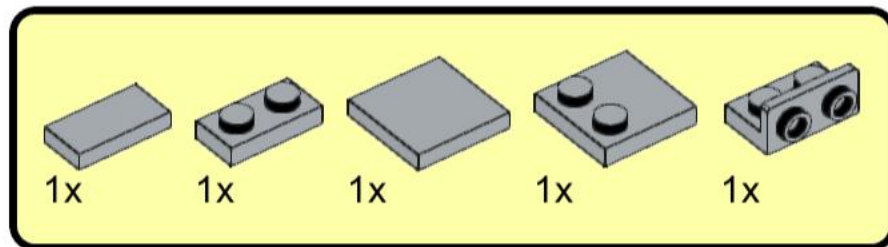


	④ 1:1
---	-------

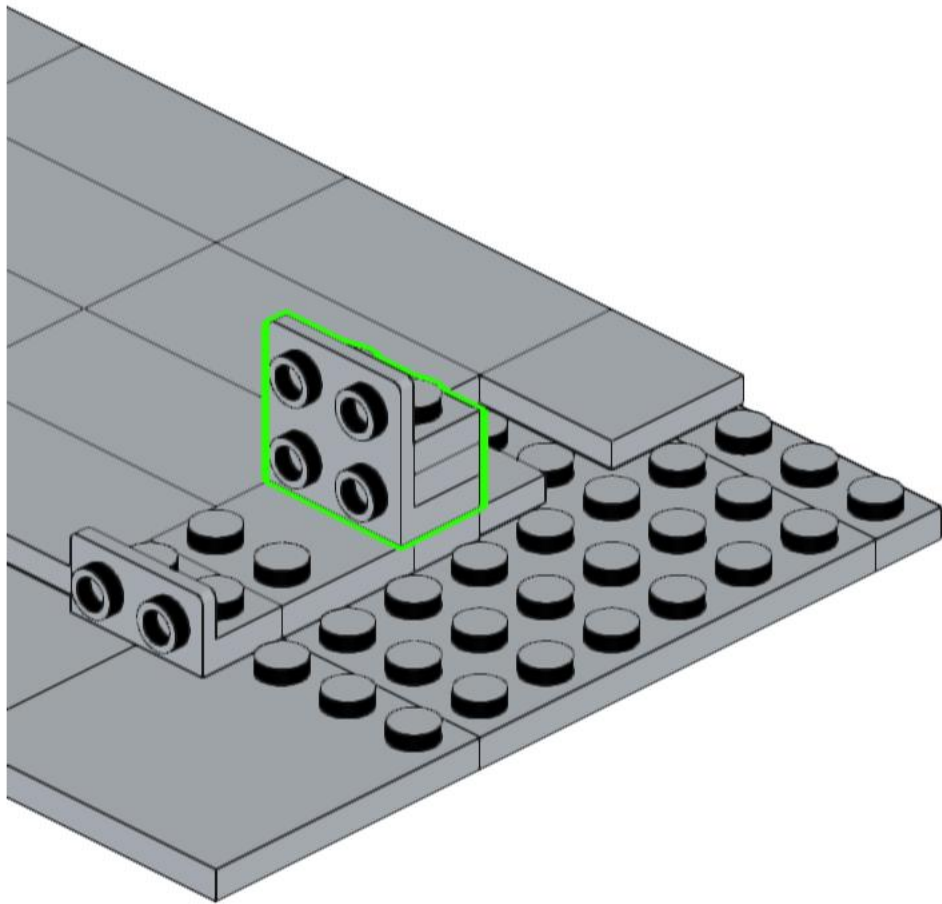
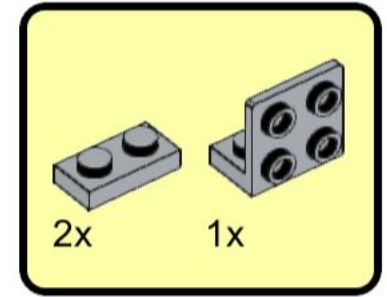
21



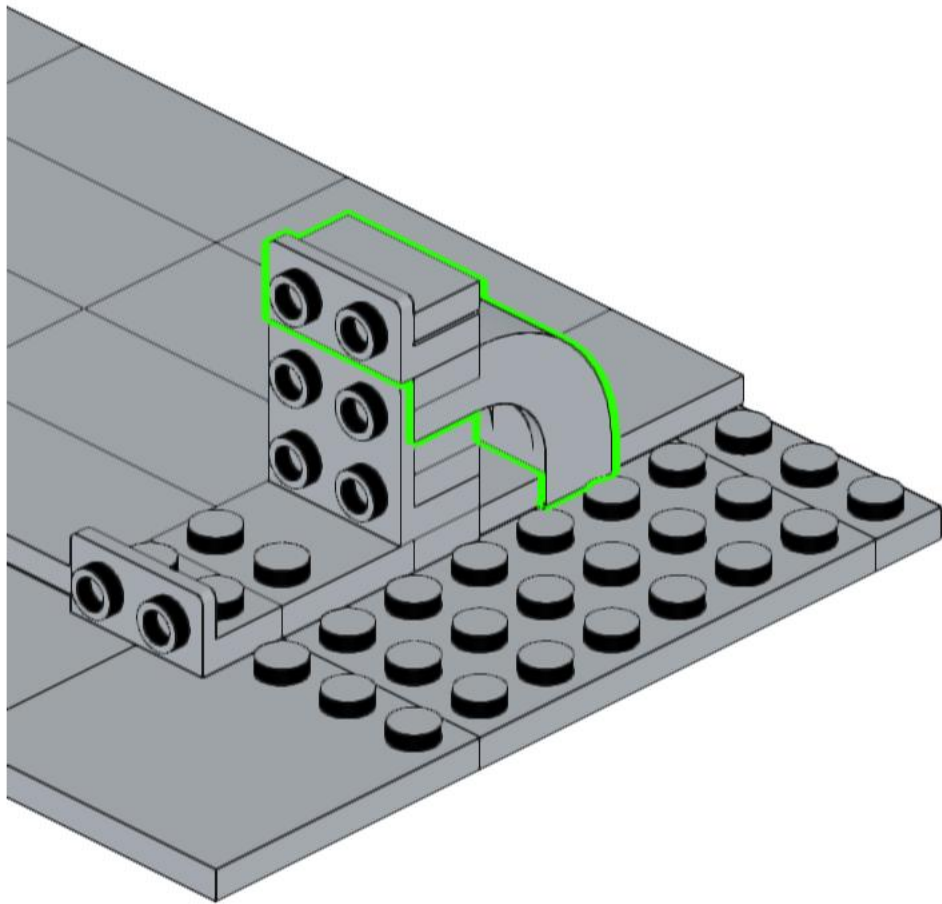
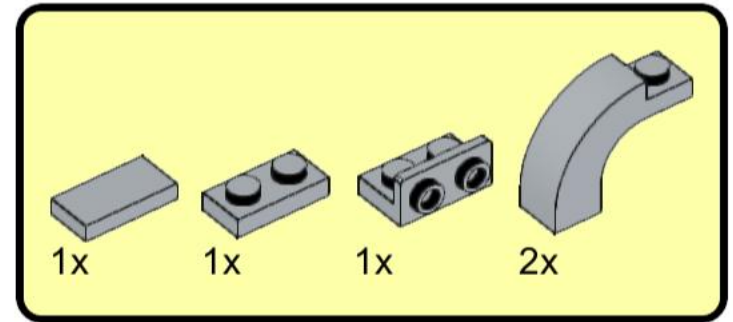
22



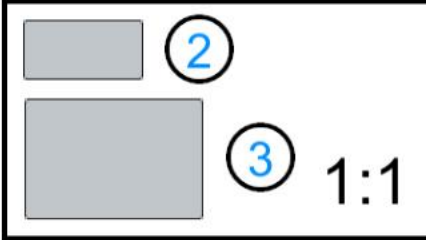
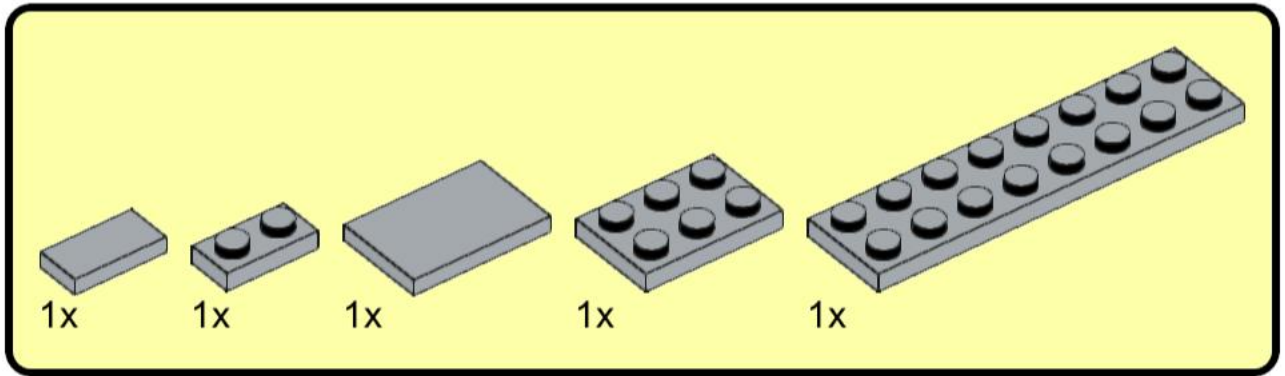
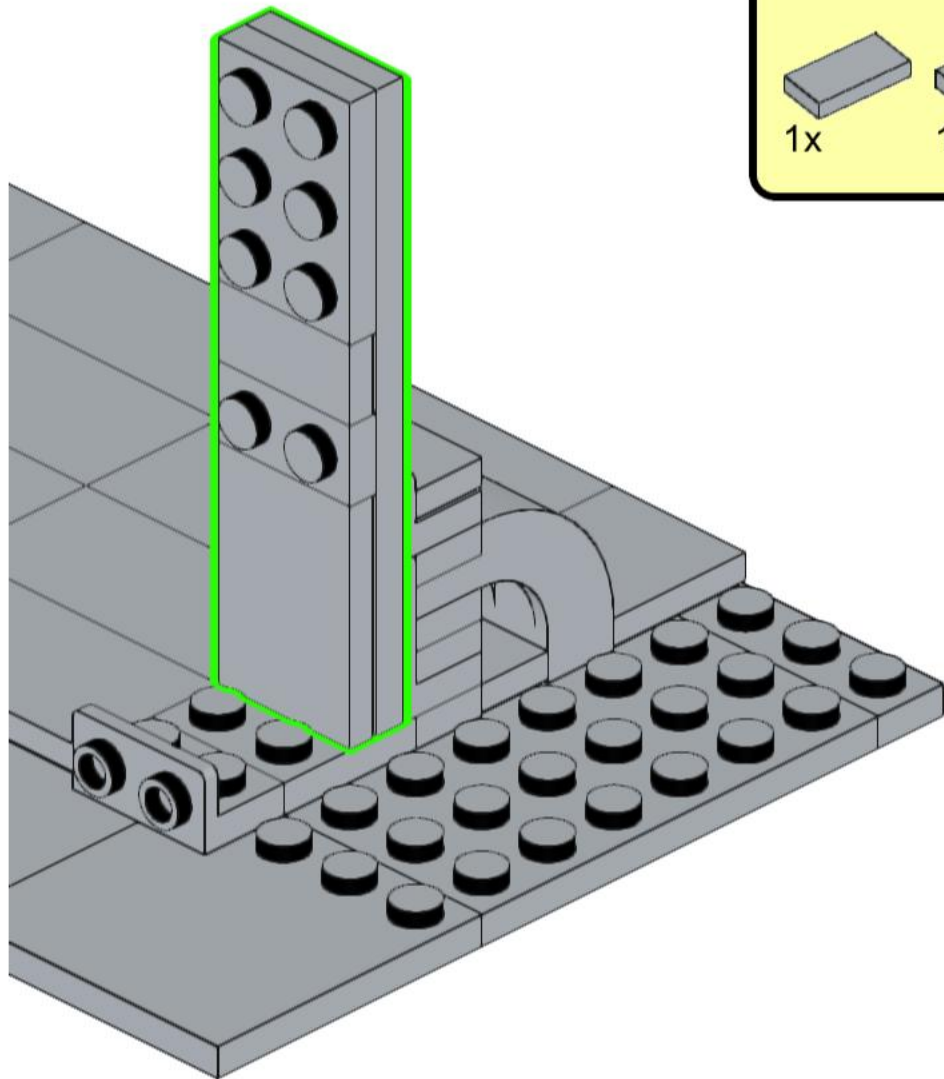
23



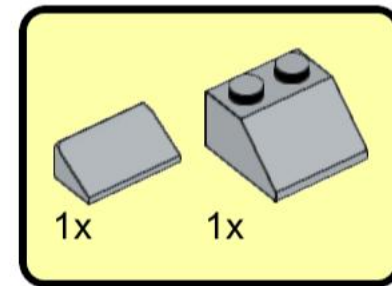
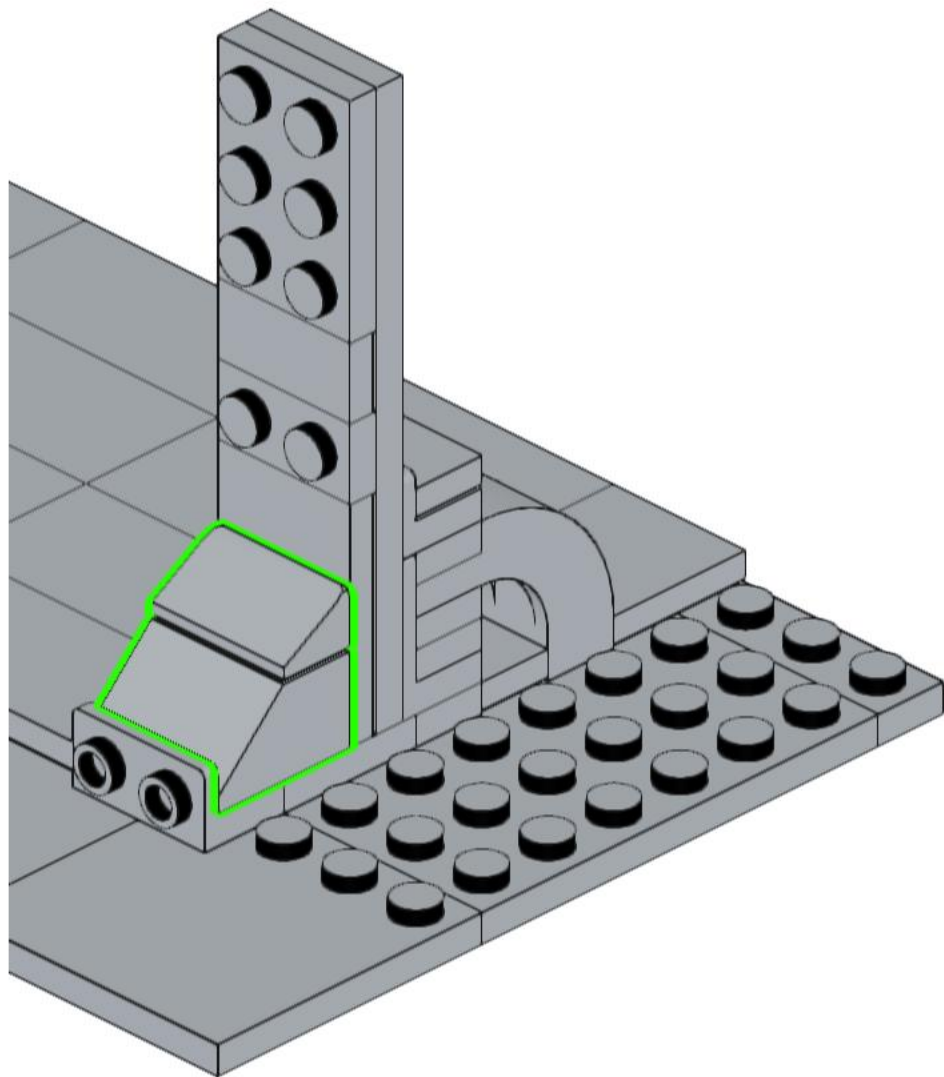
24



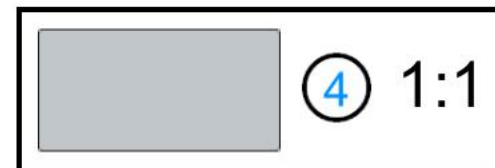
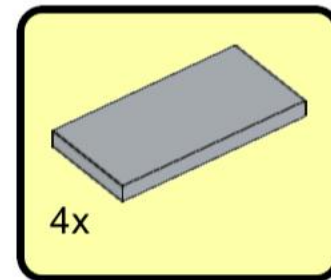
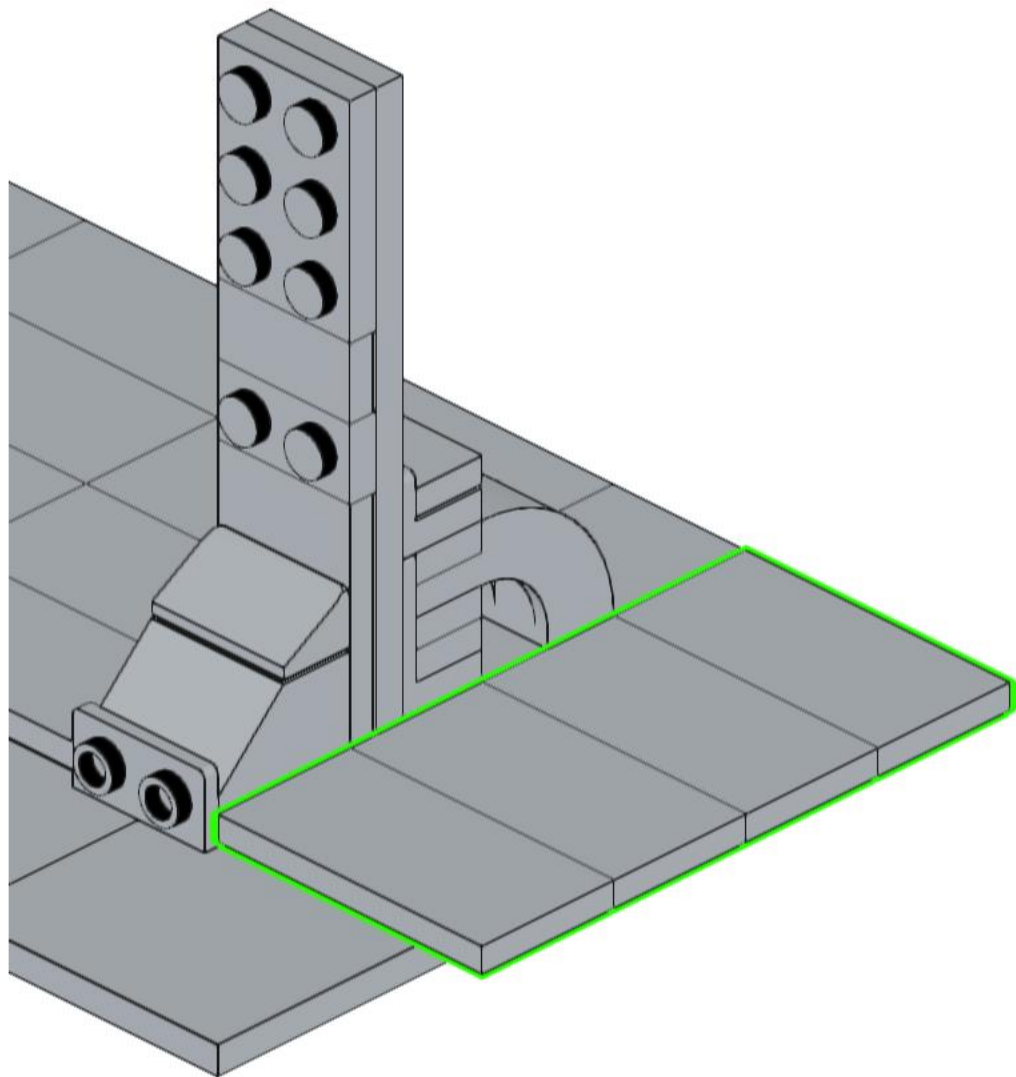
25



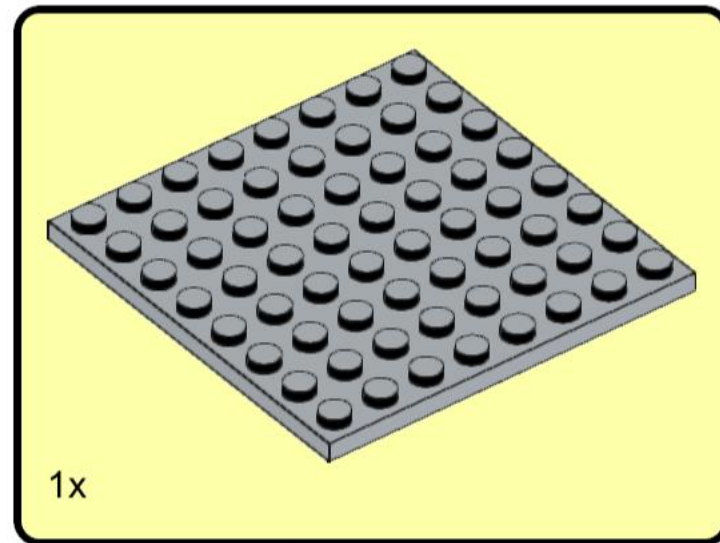
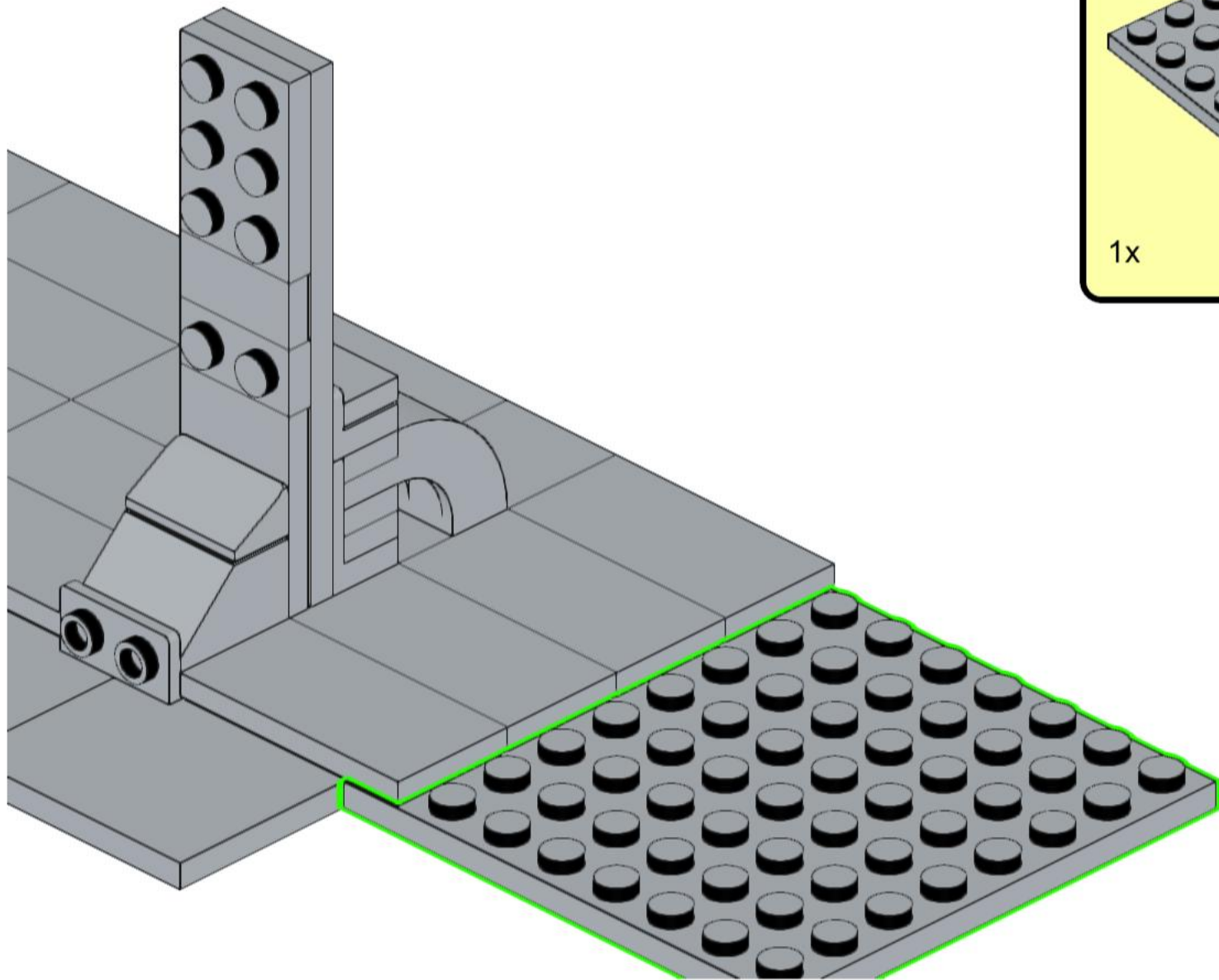
26



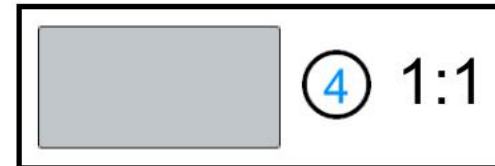
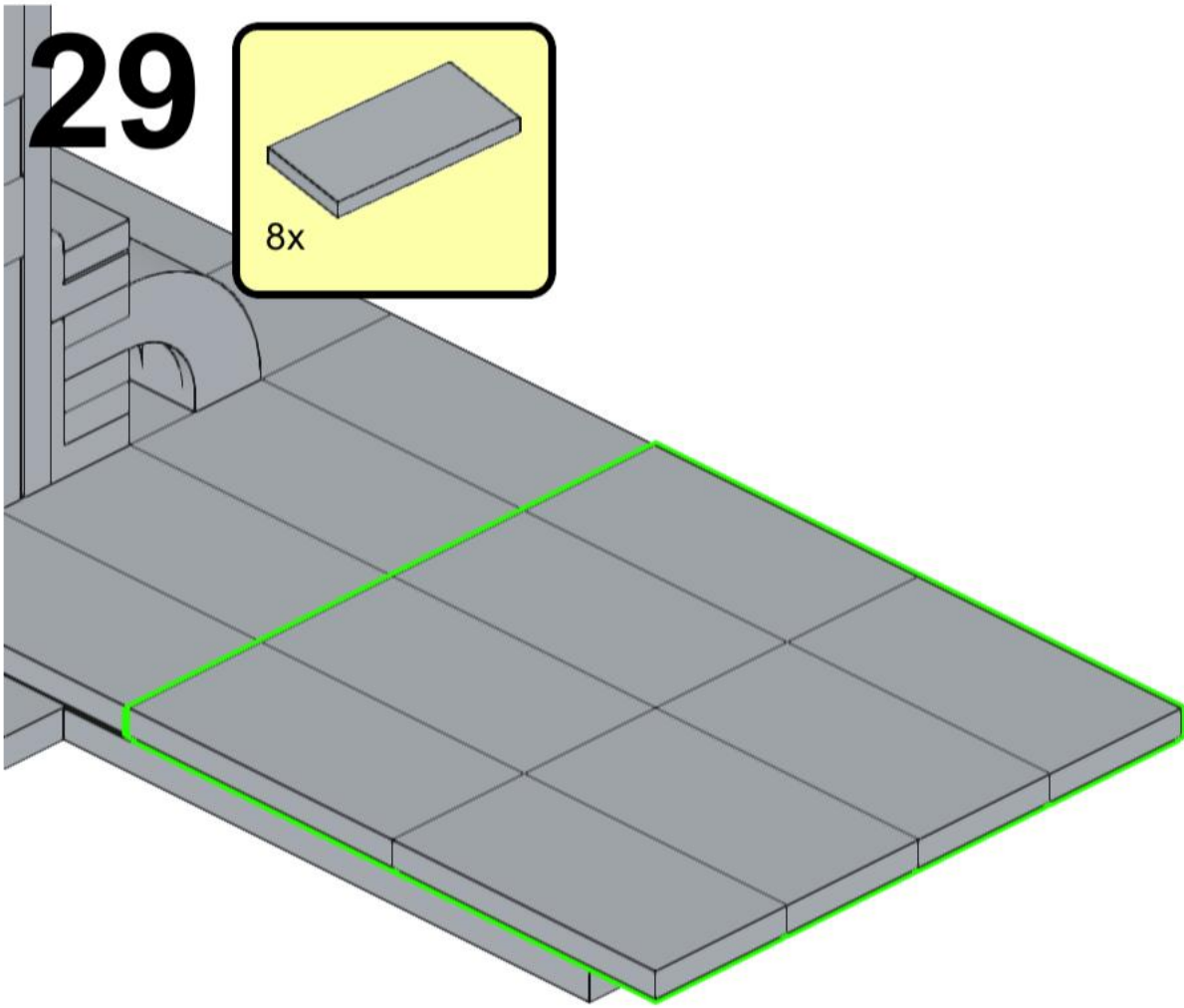
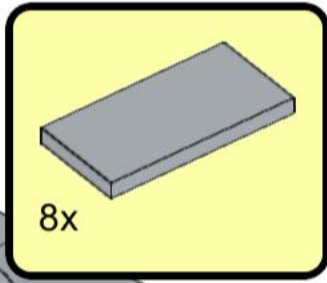
27



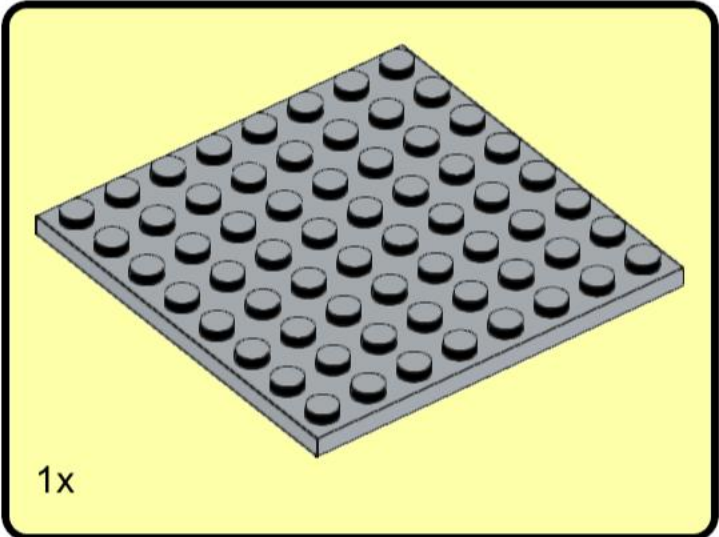
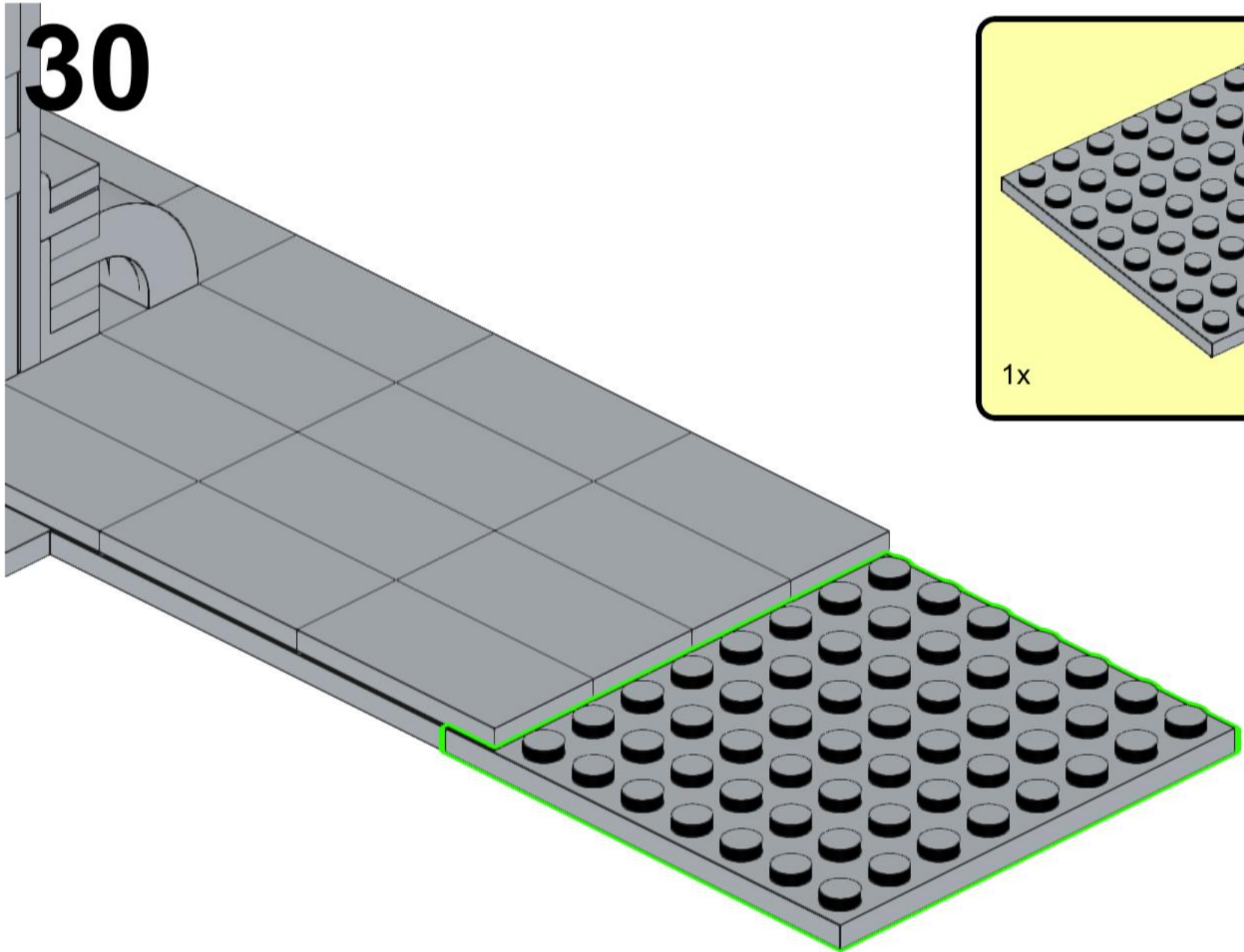
28



29

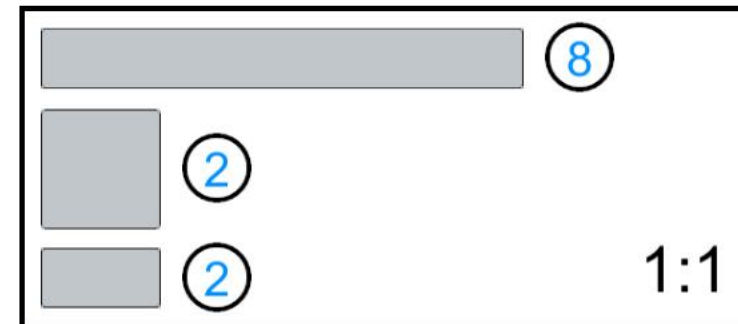
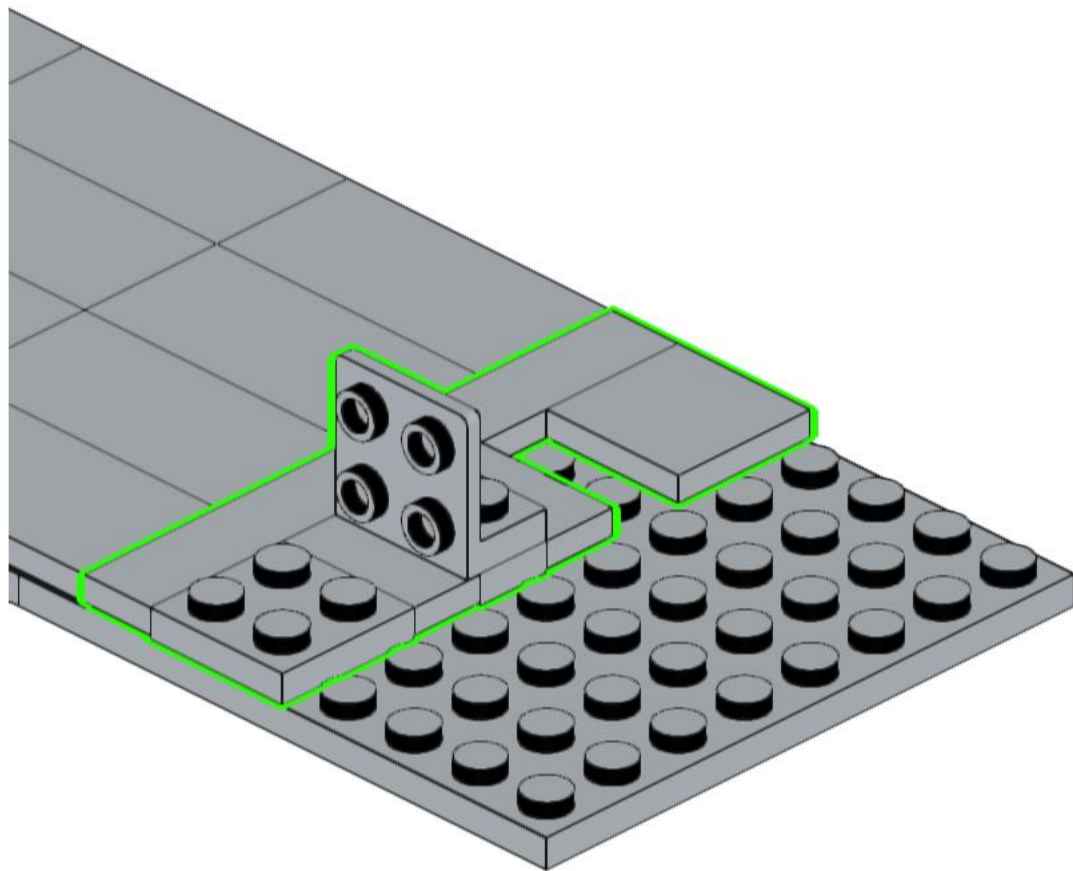
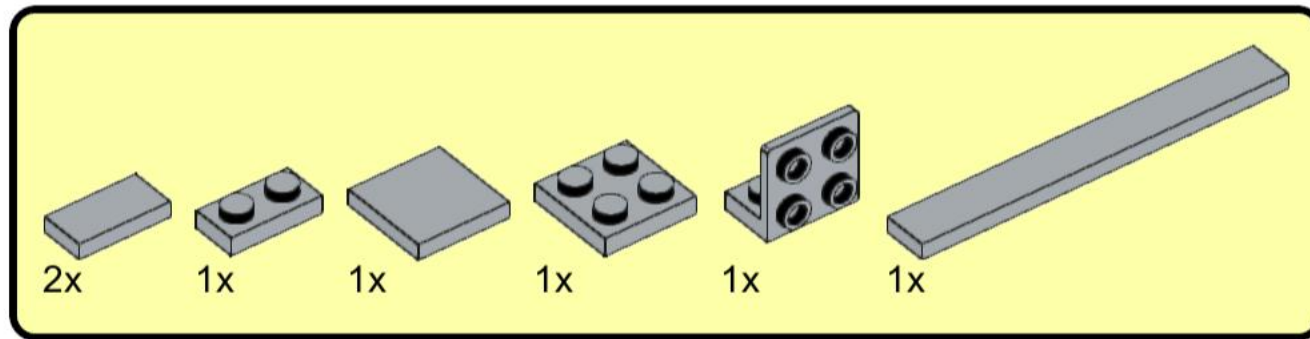


30

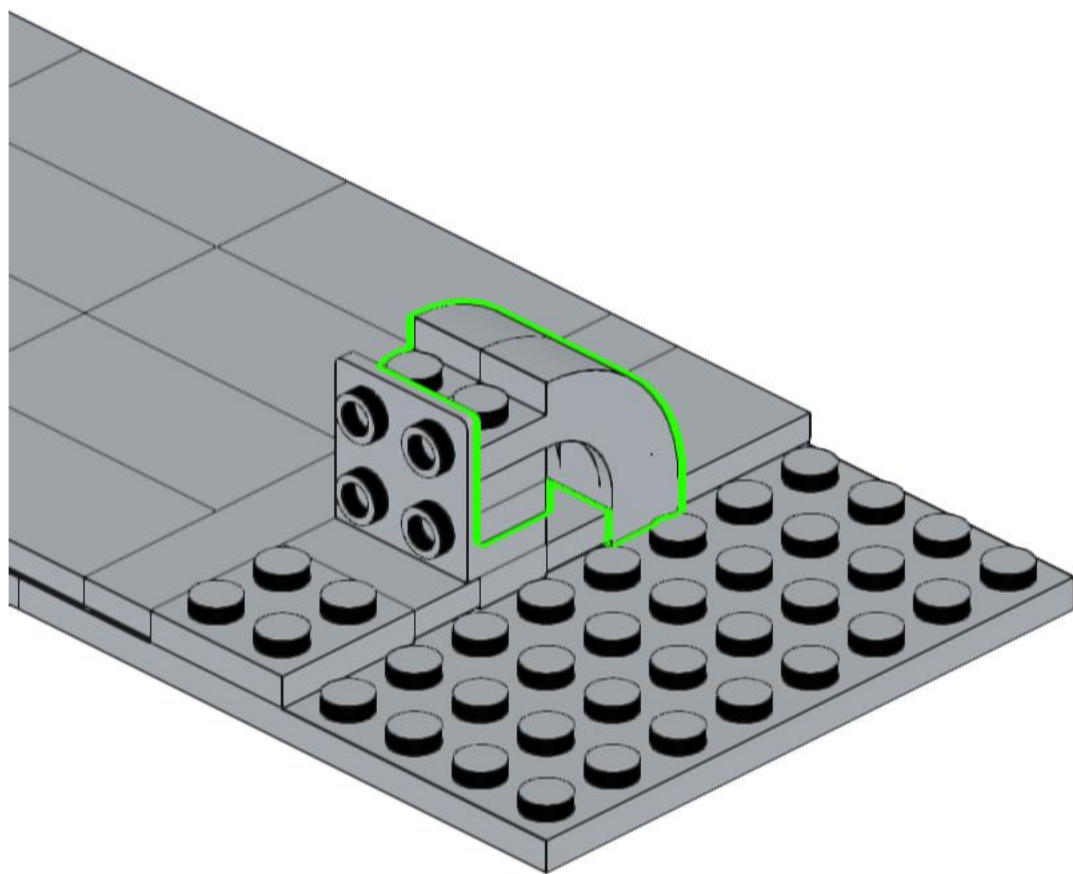
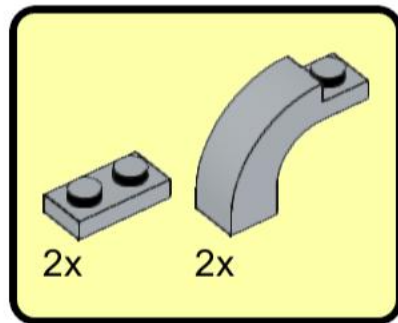


1x

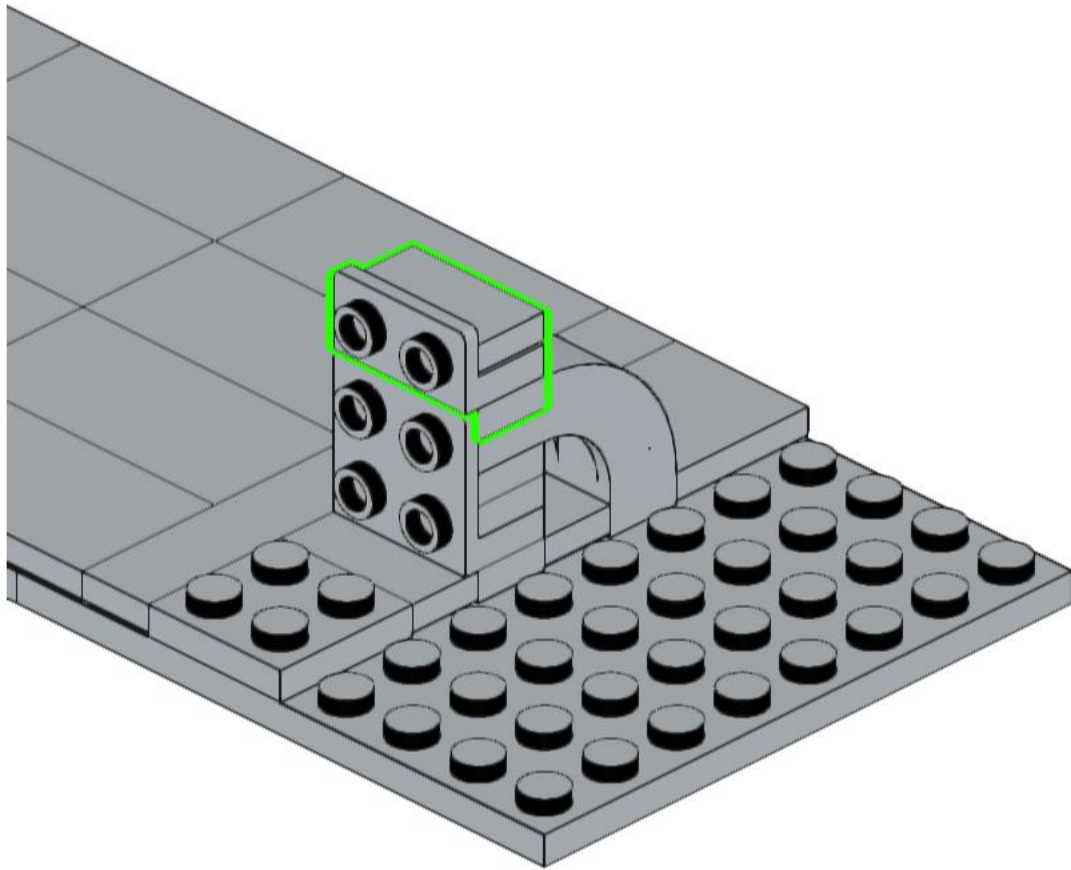
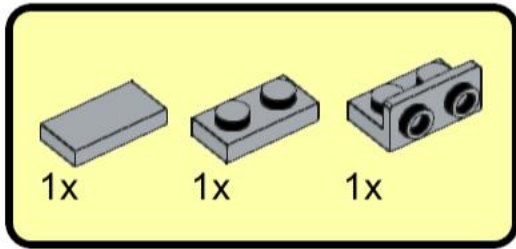
31



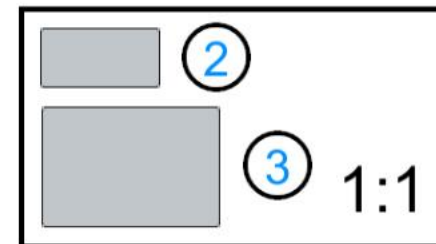
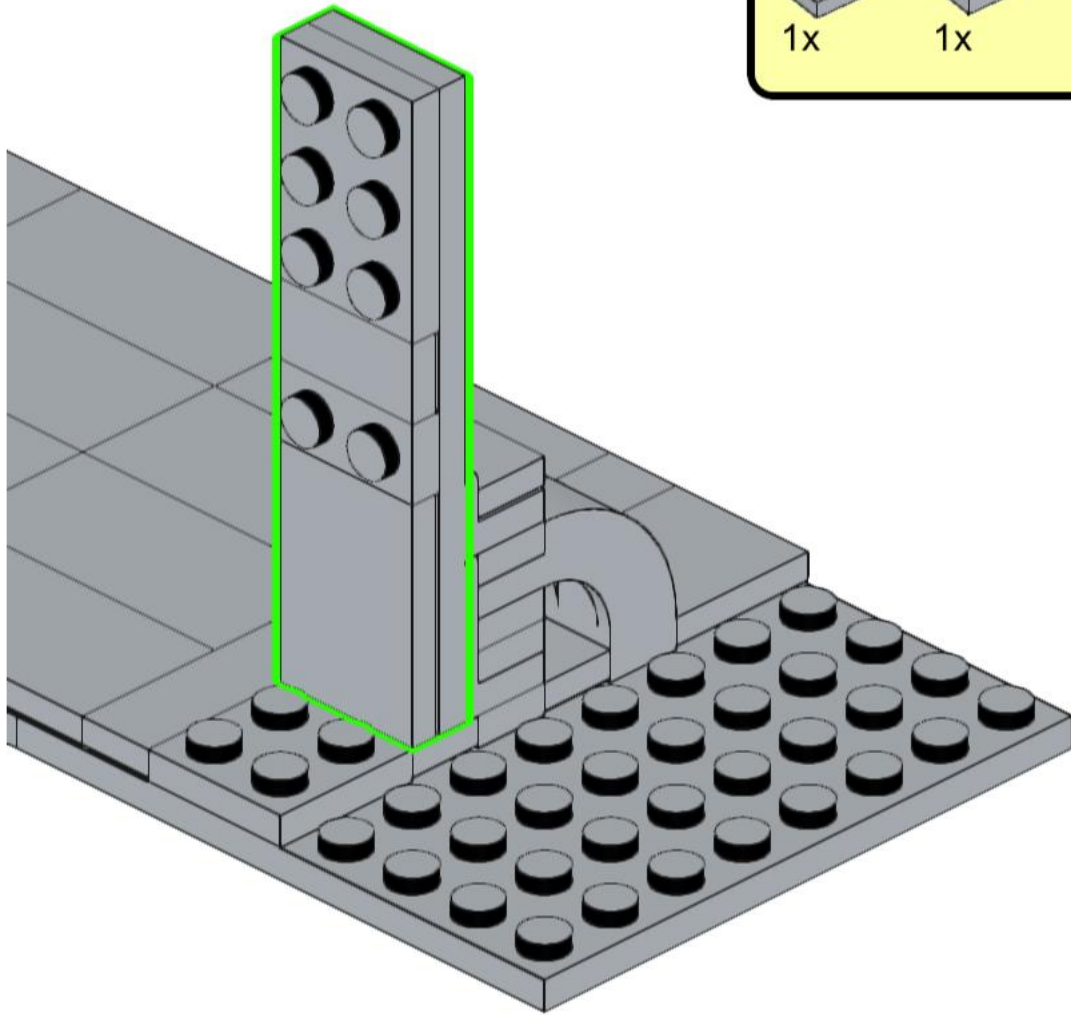
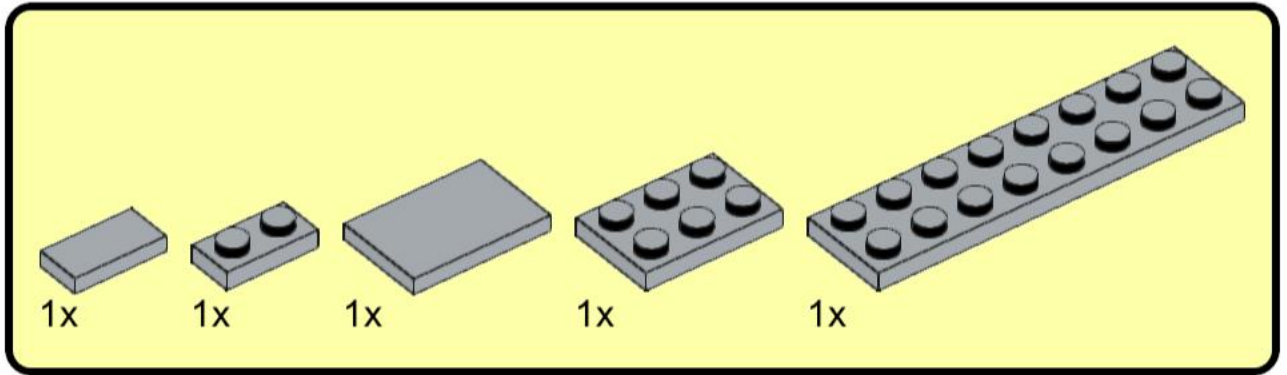
32



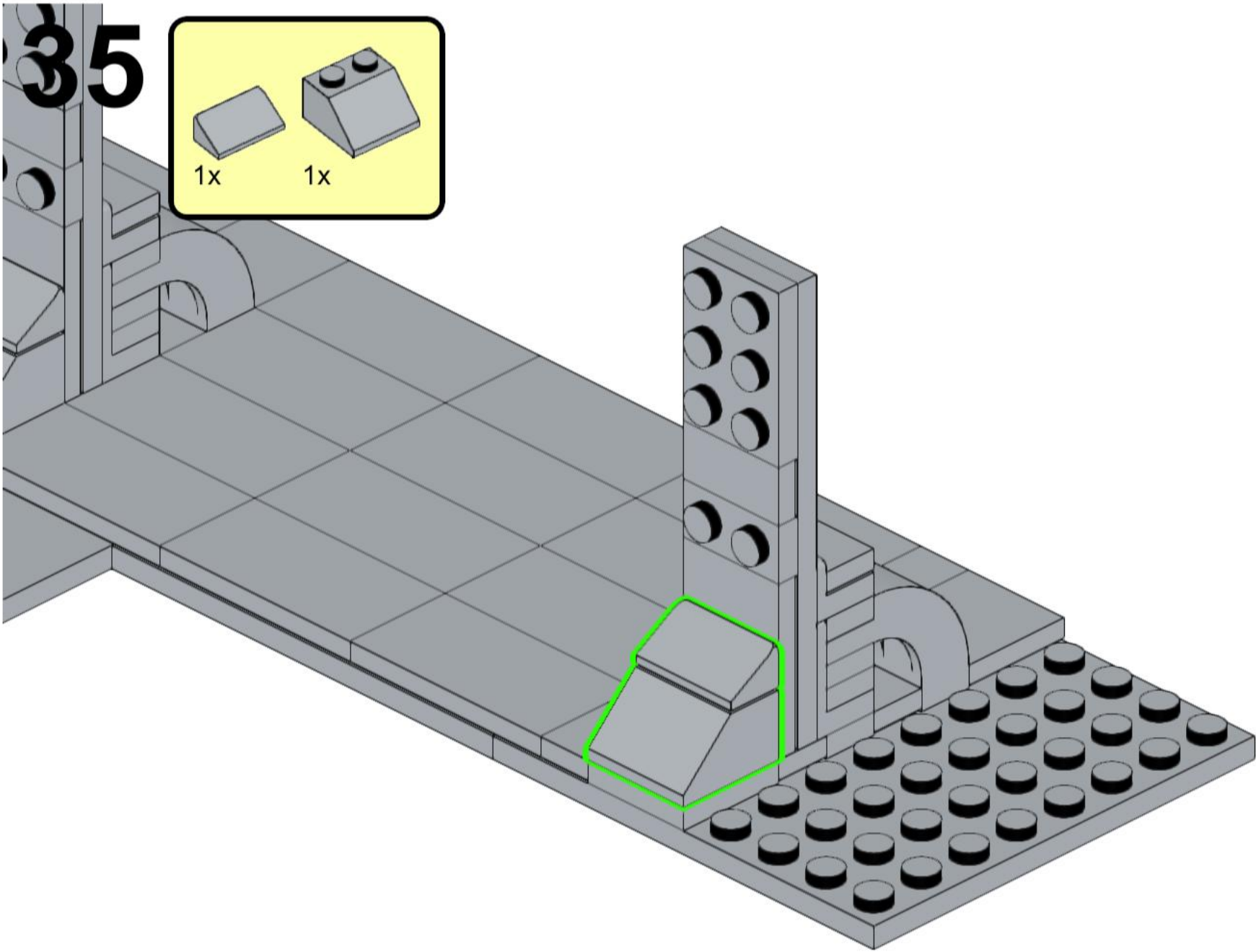
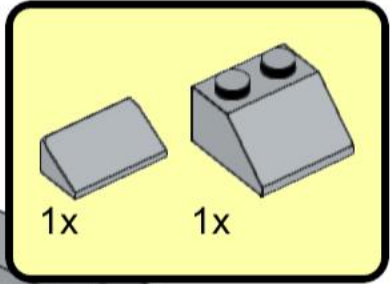
33



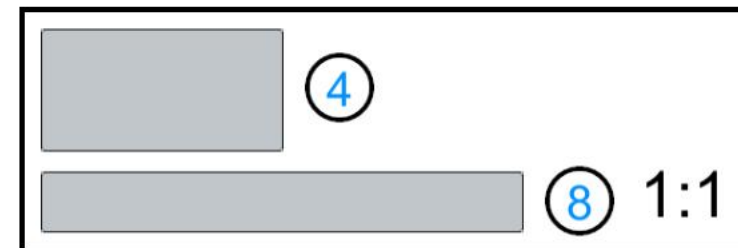
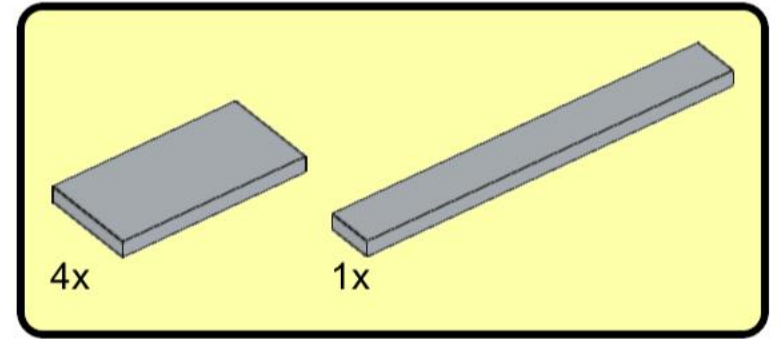
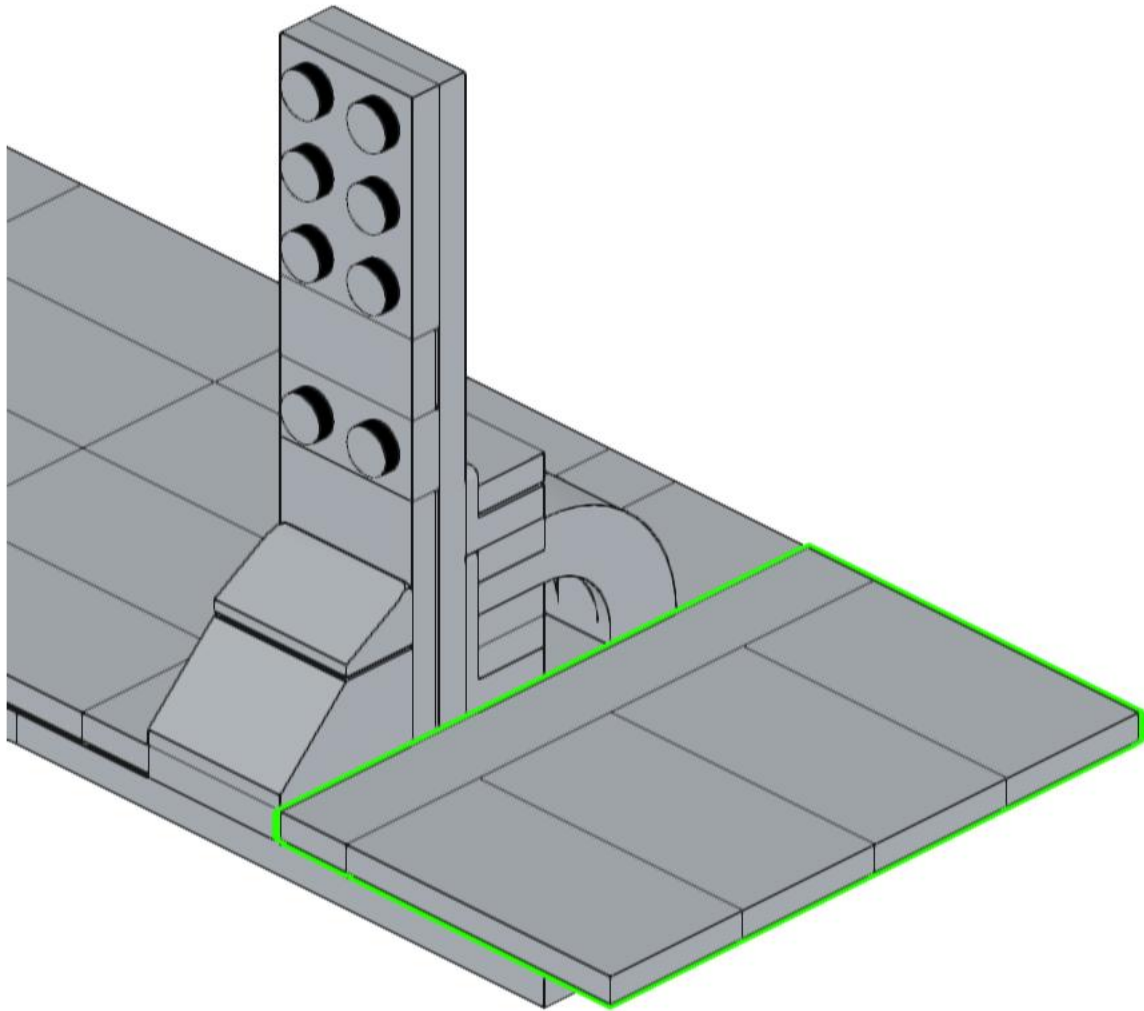
34



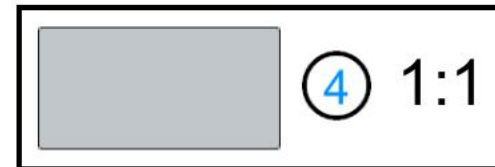
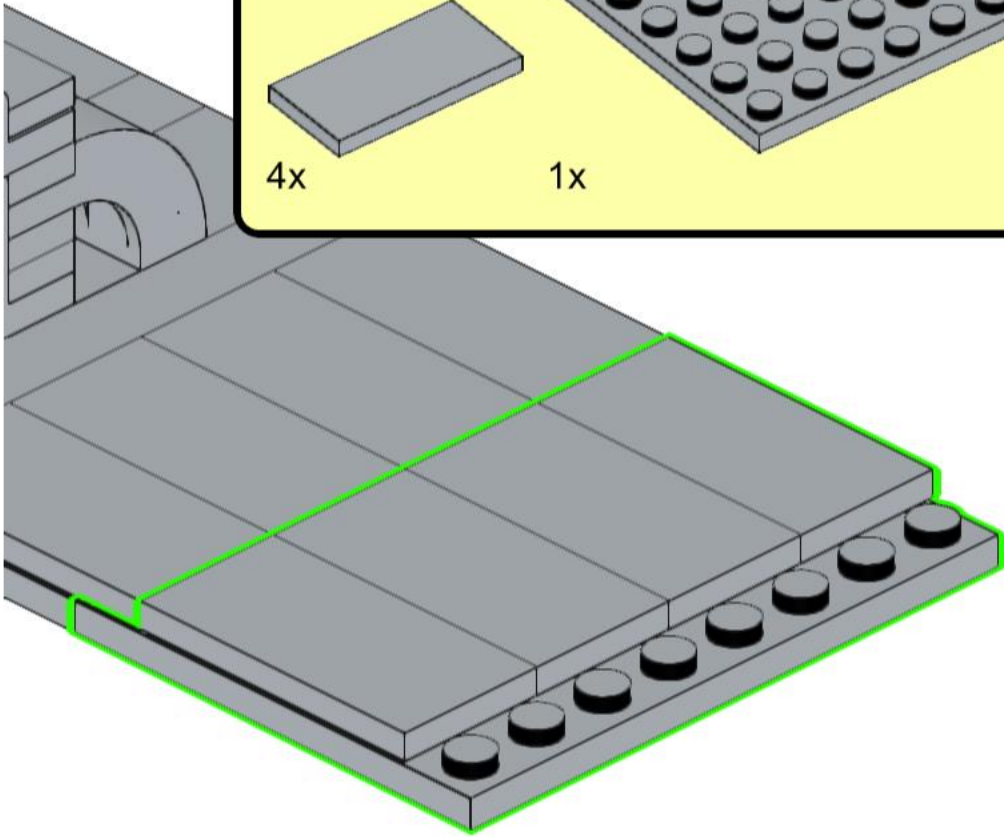
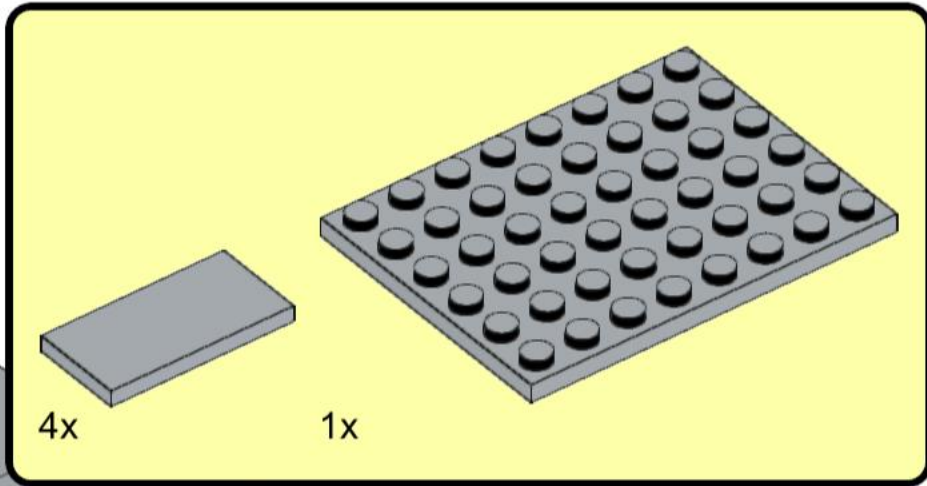
35



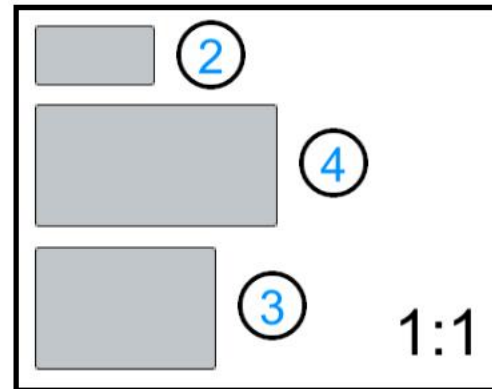
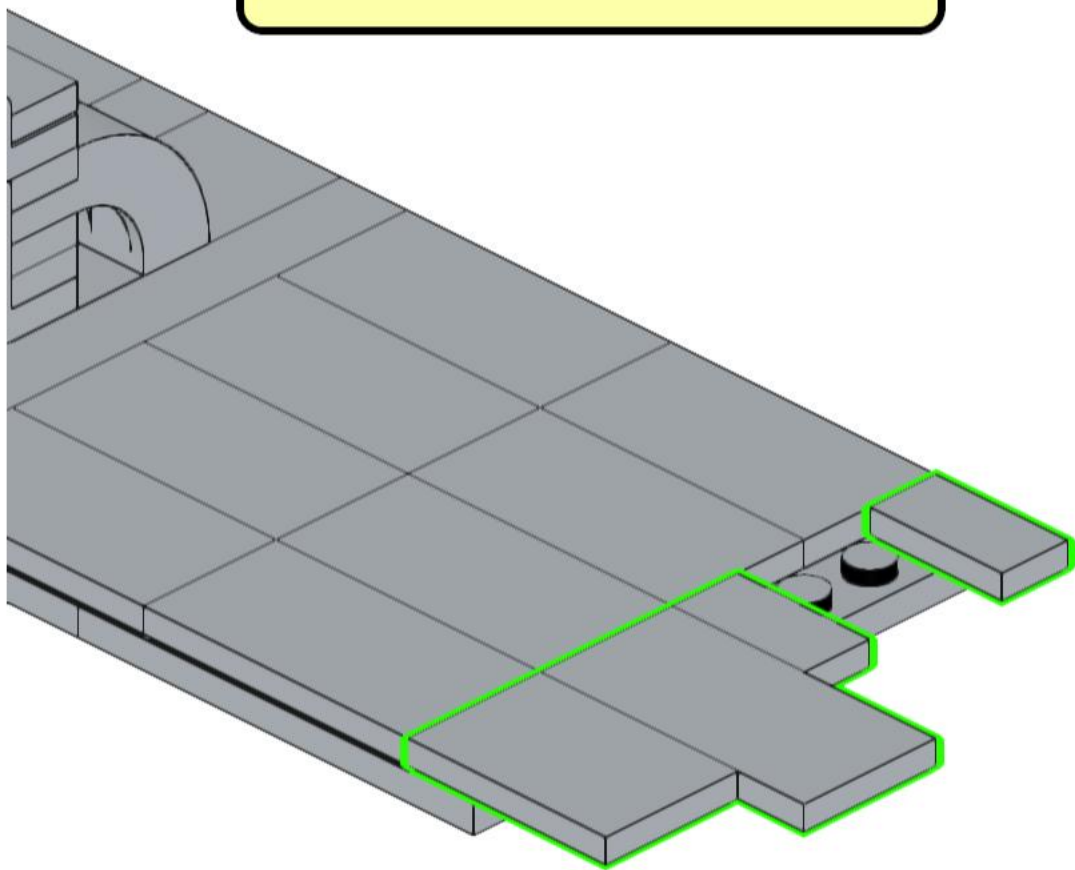
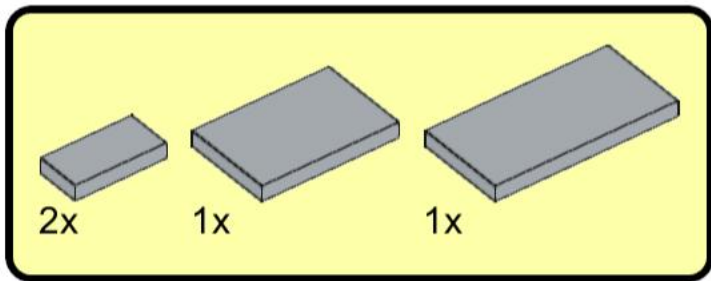
36



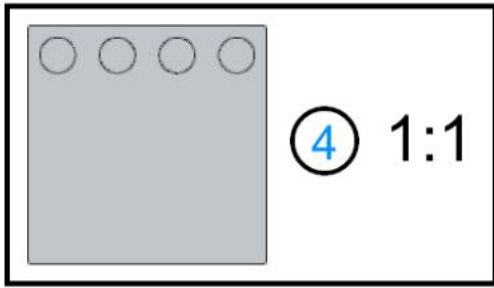
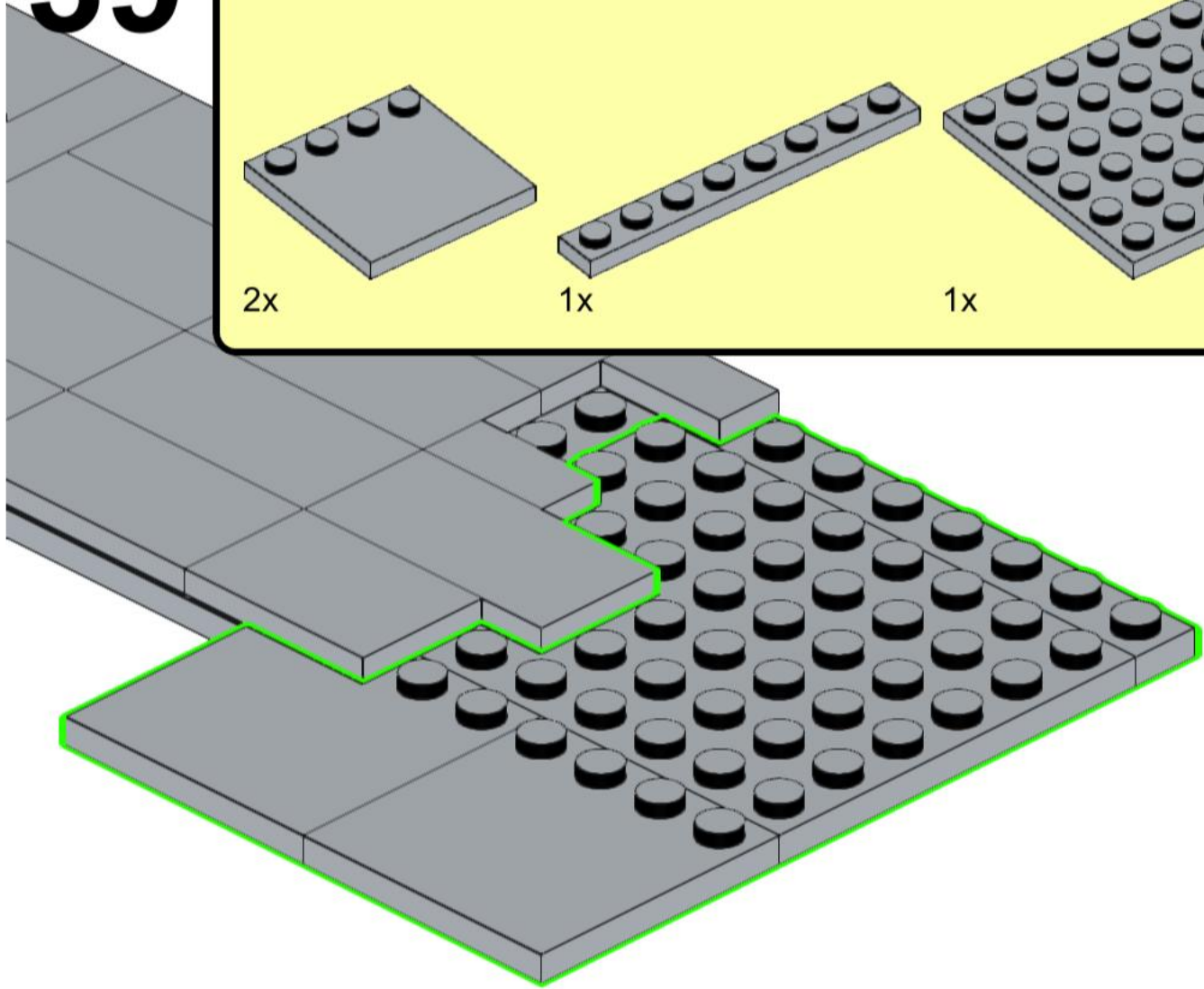
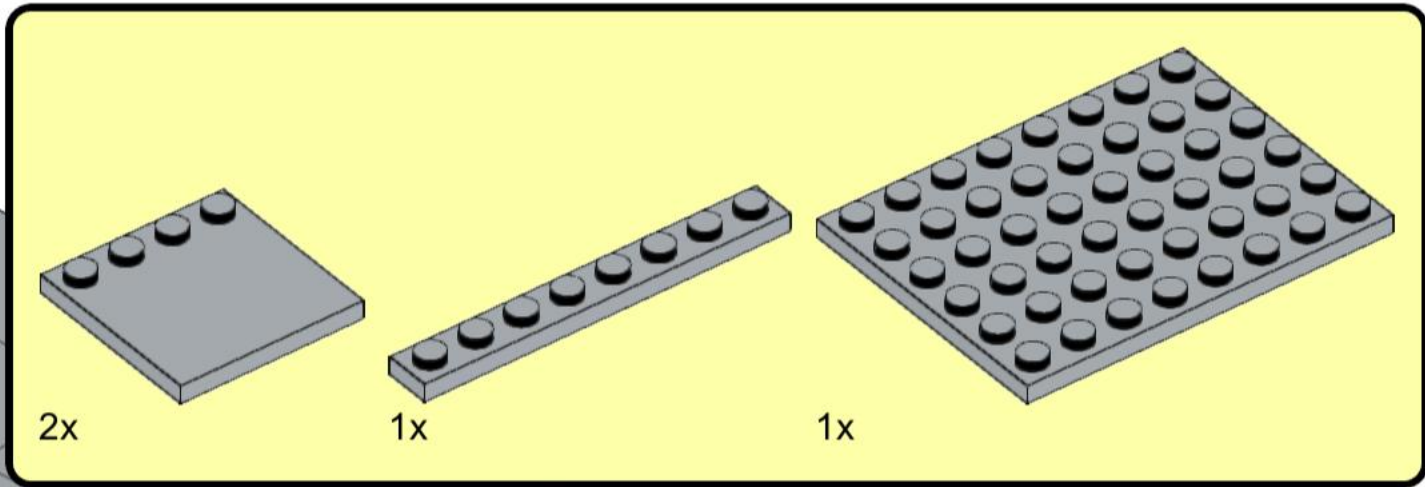
37



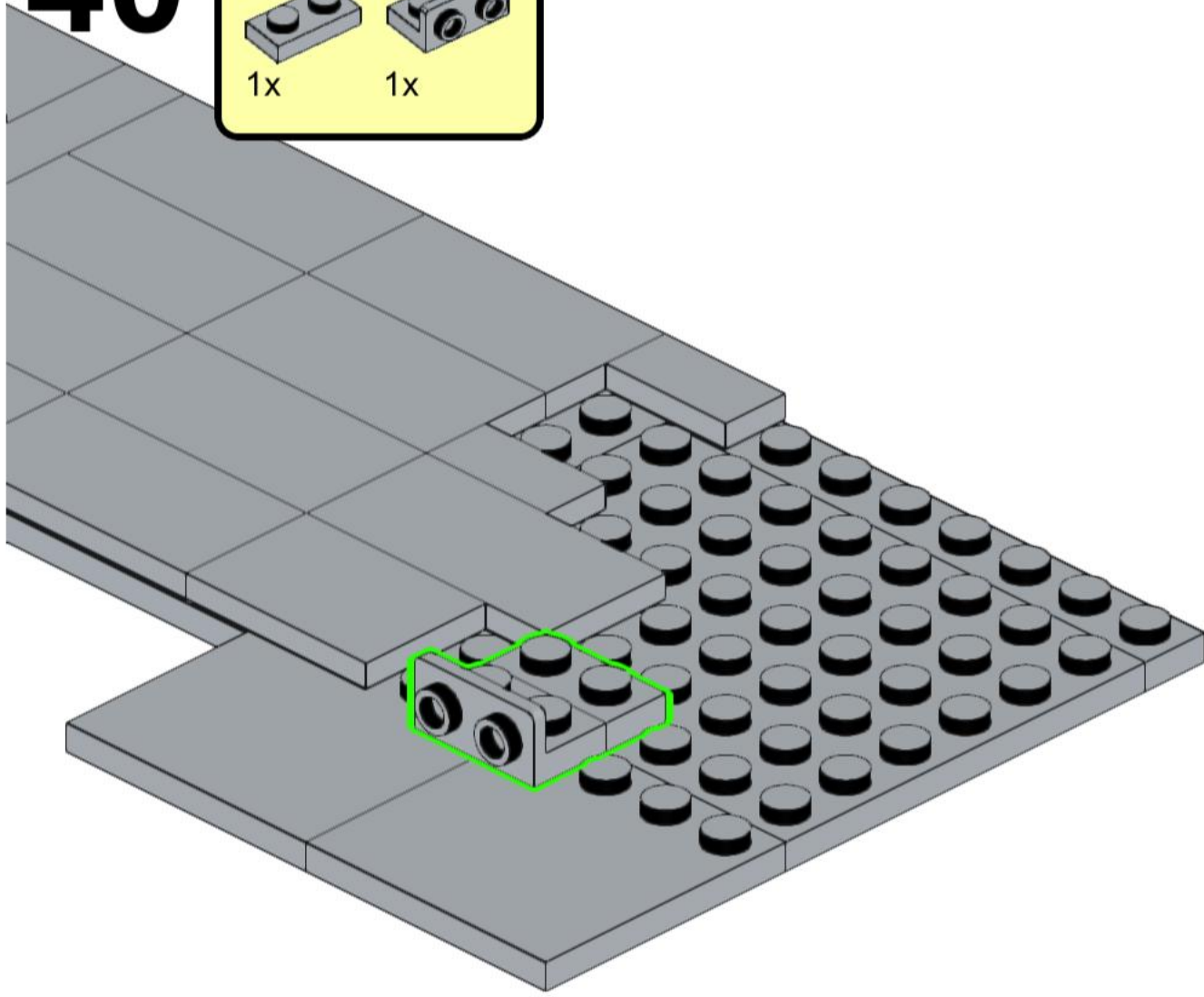
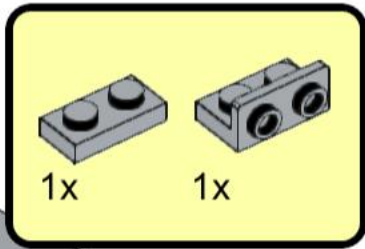
38



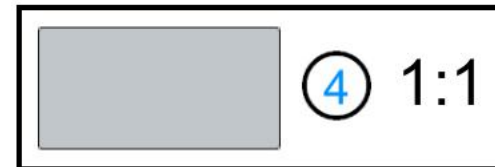
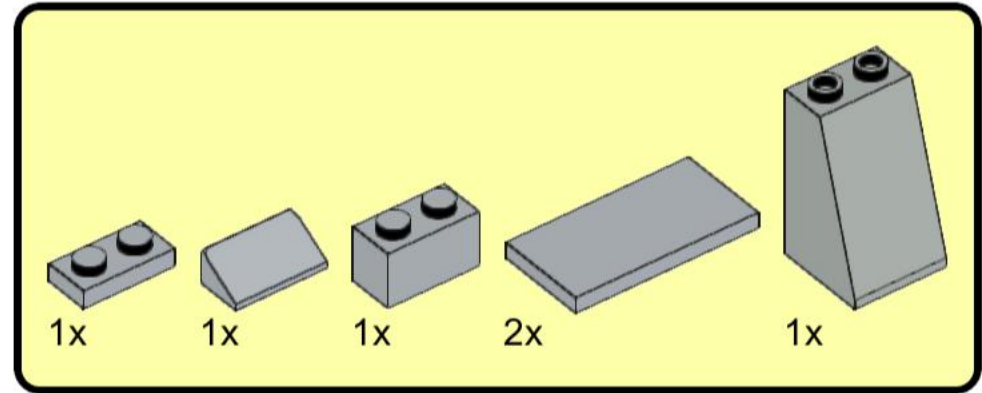
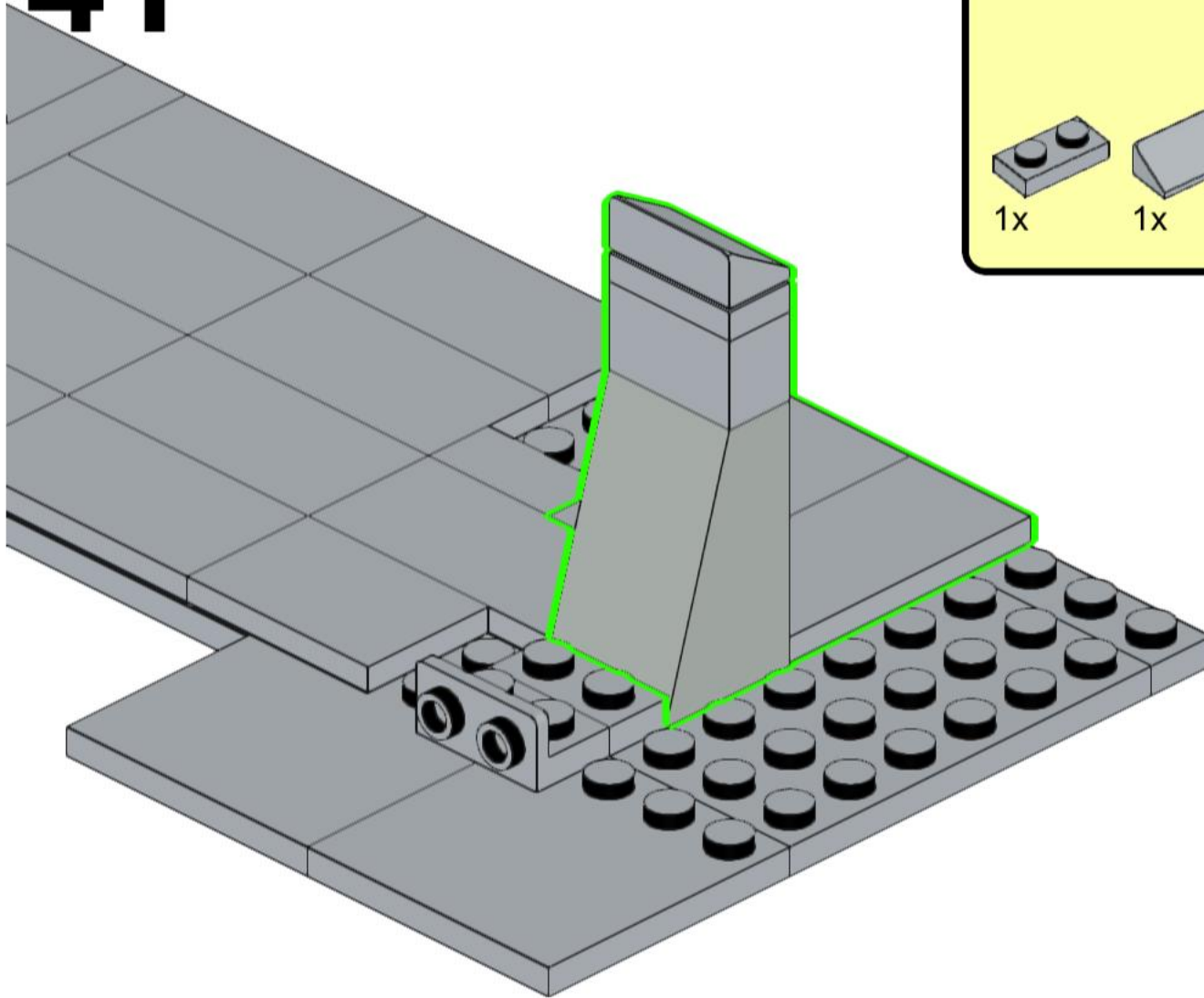
39



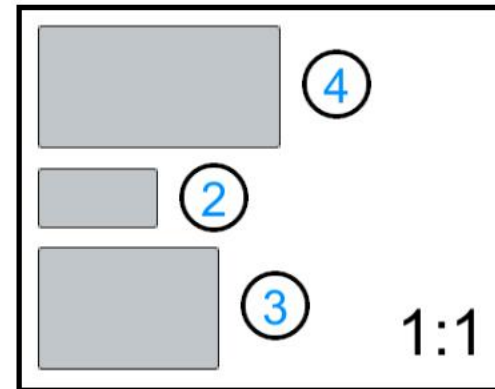
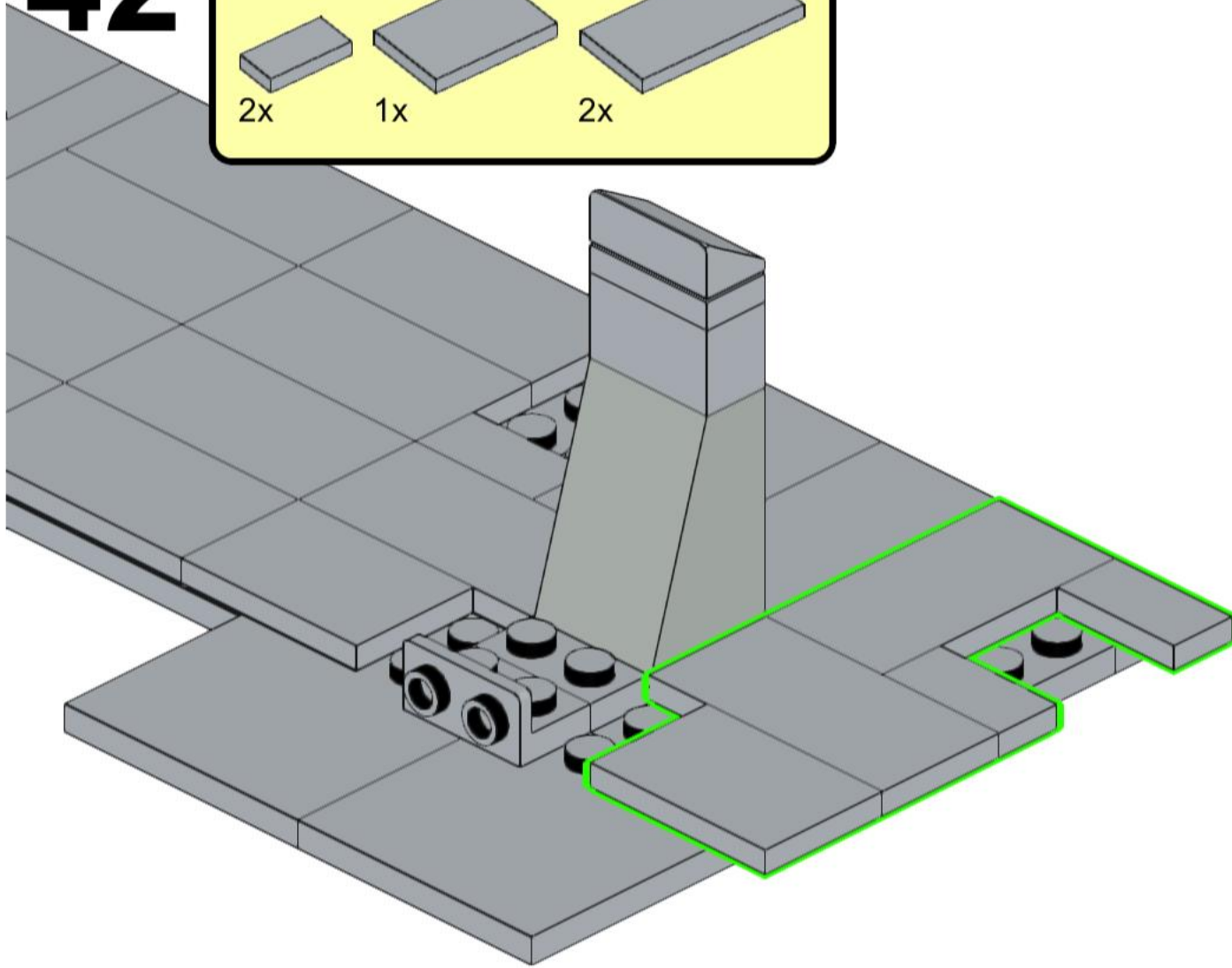
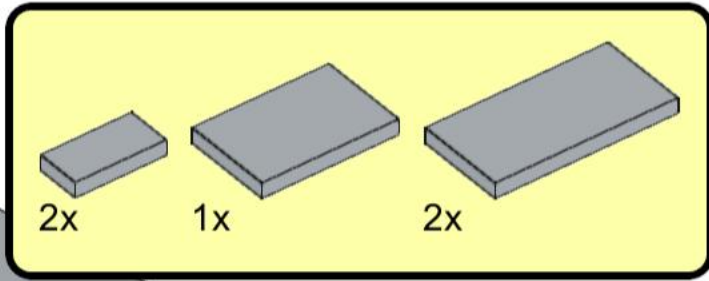
40



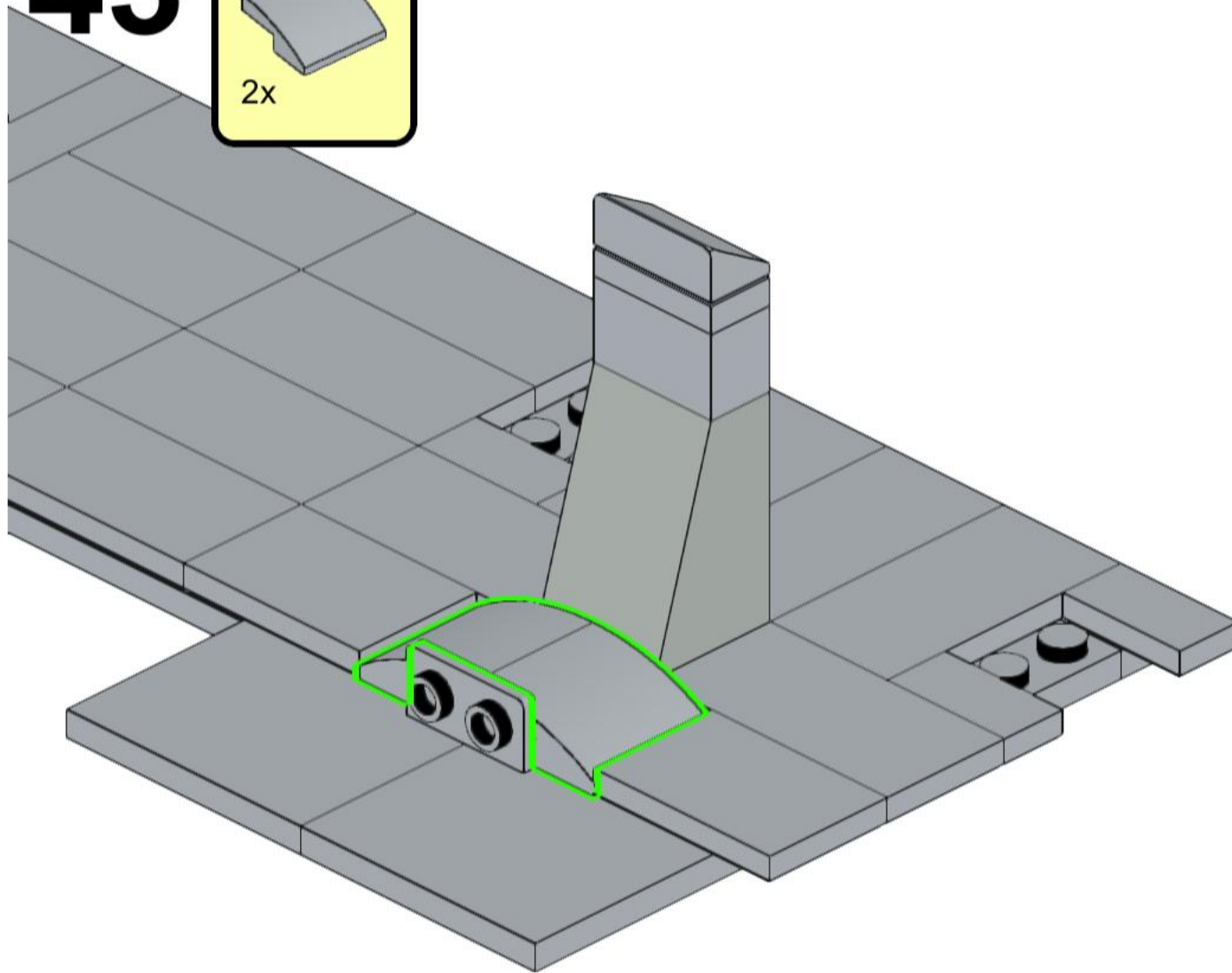
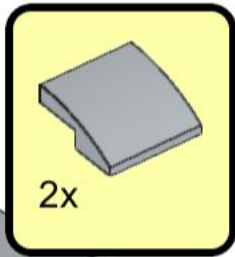
41



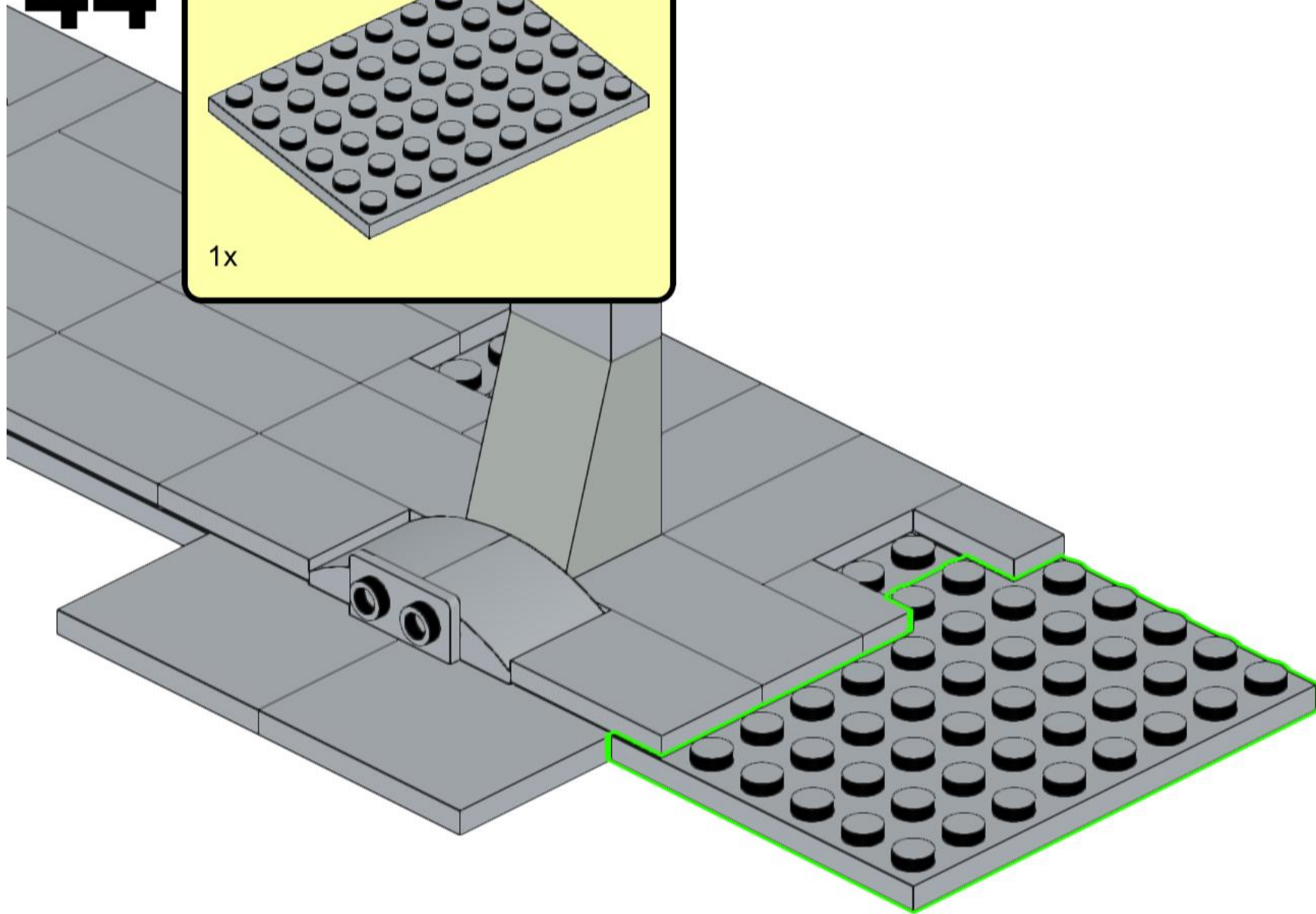
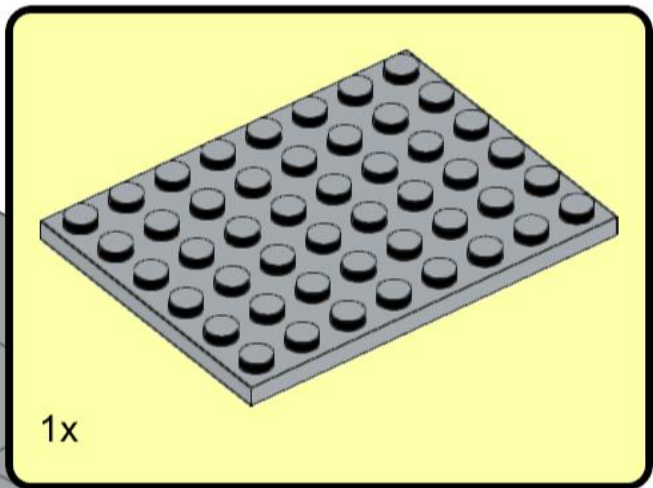
42



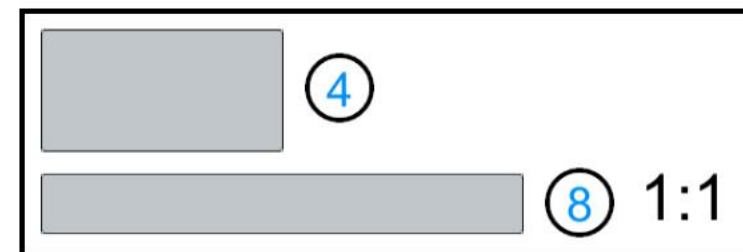
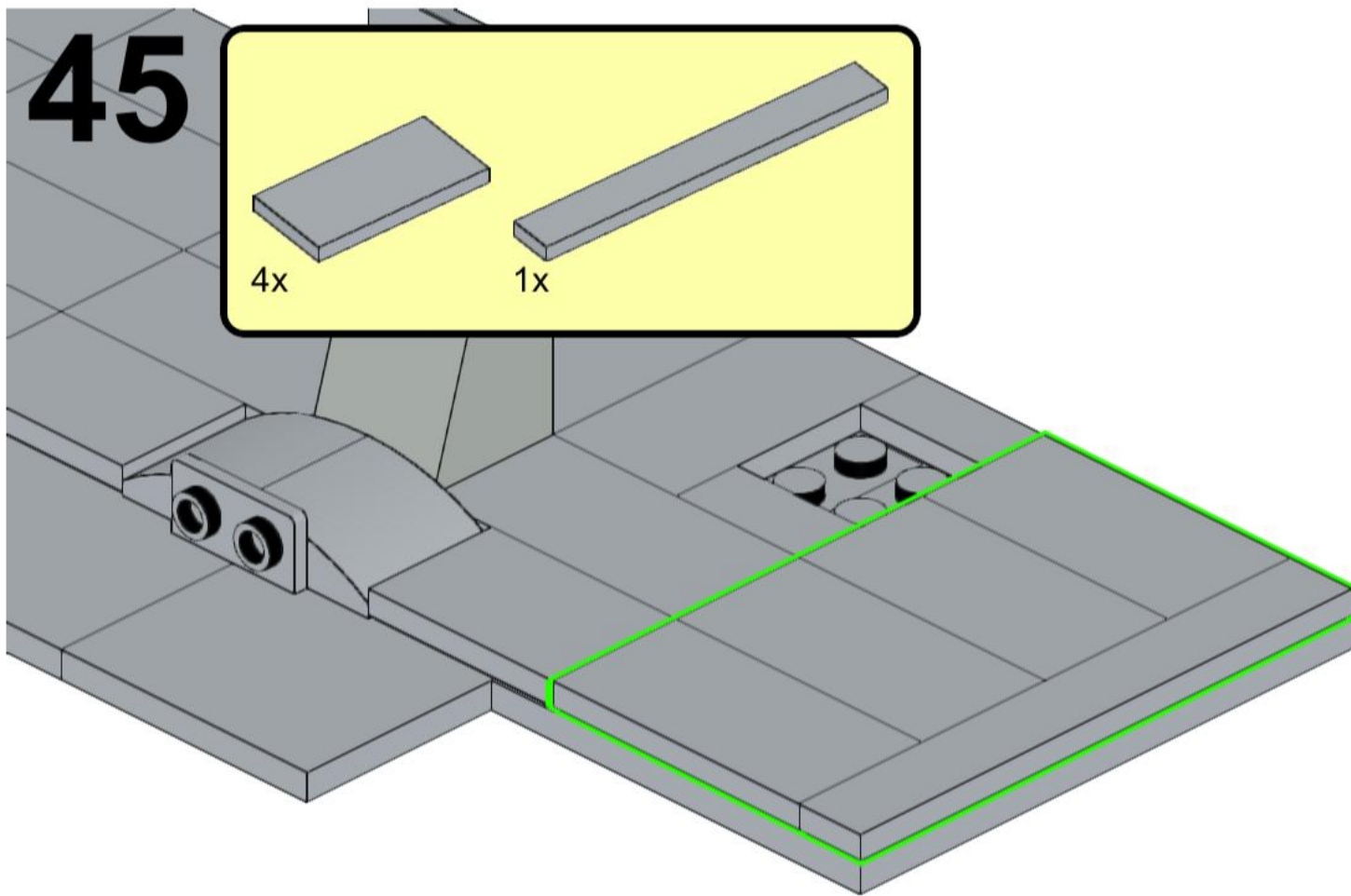
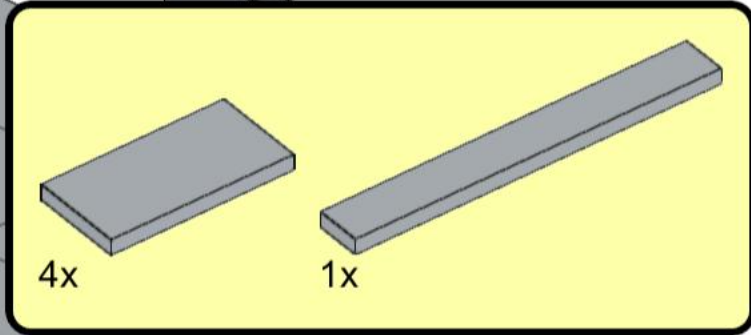
43



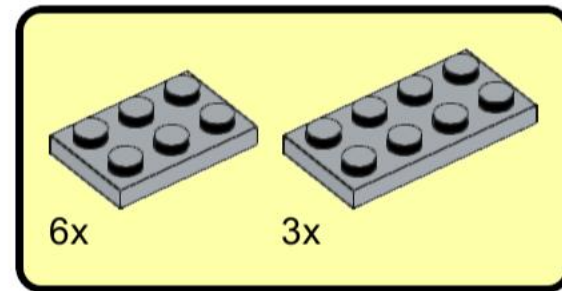
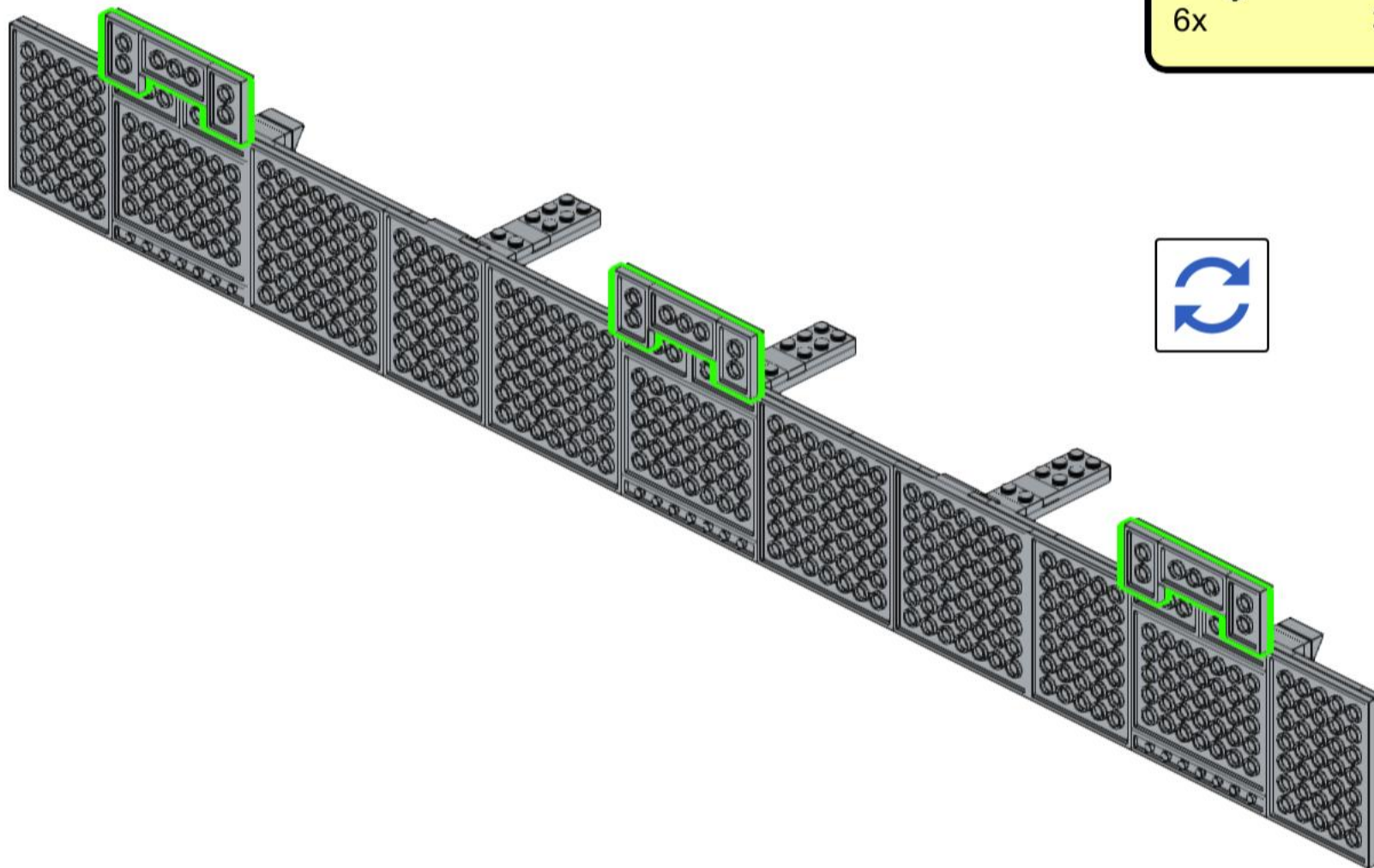
44



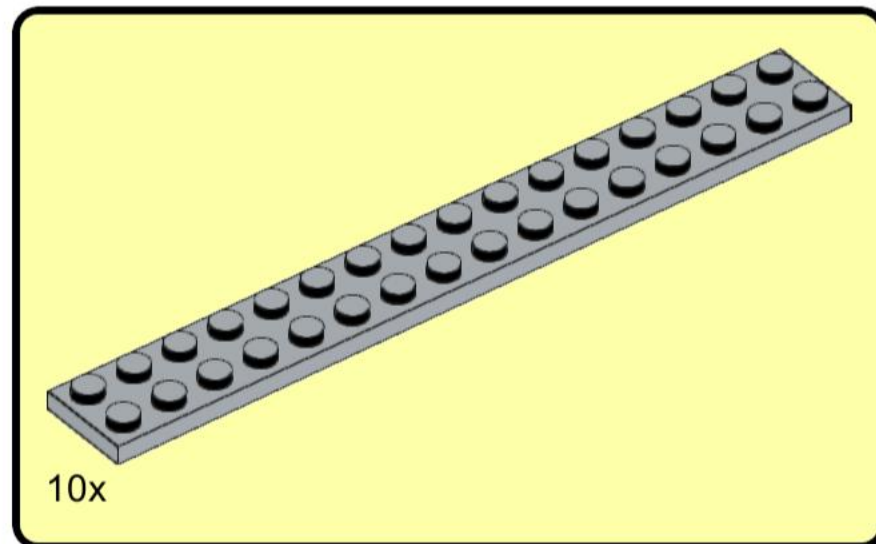
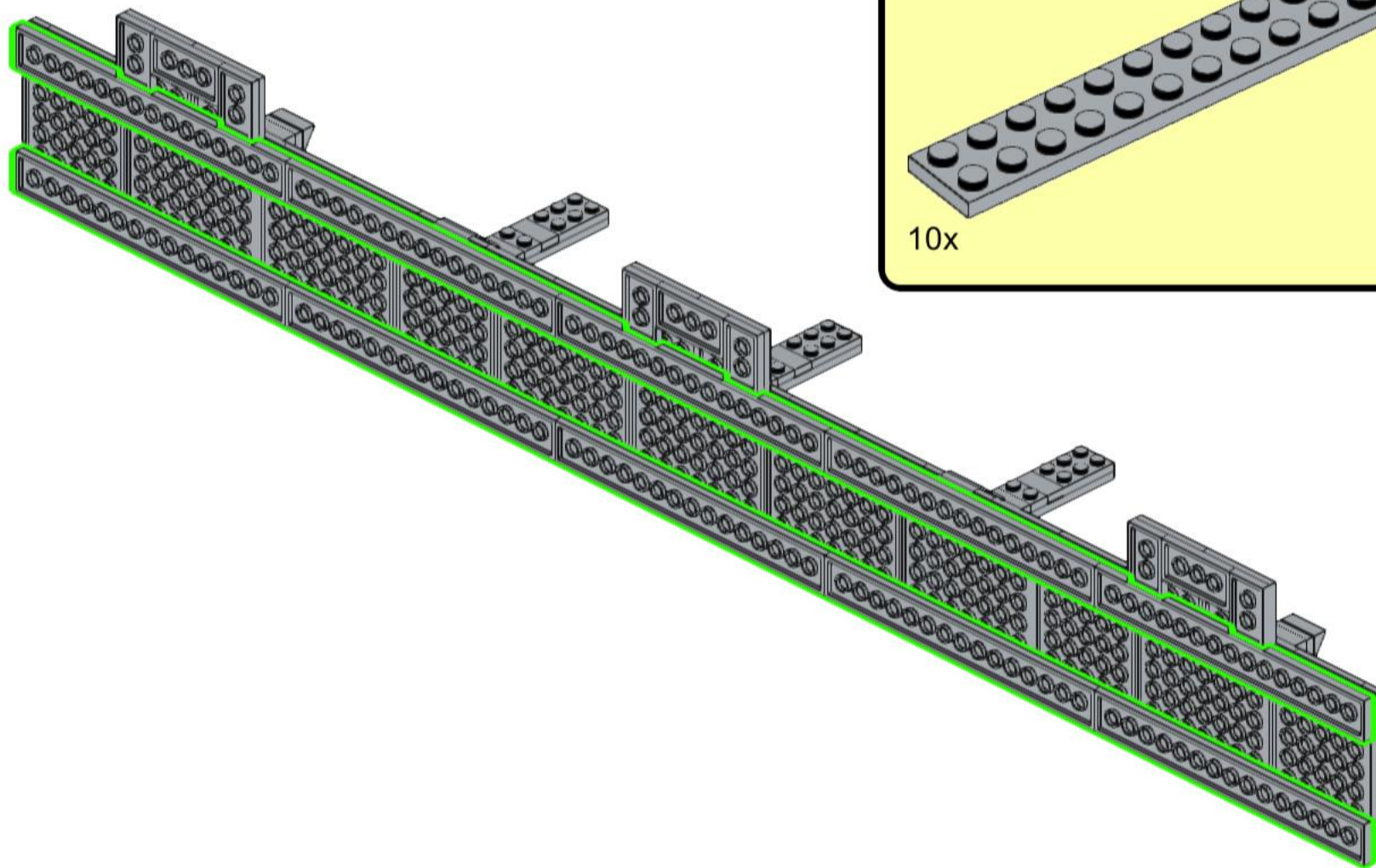
45



46

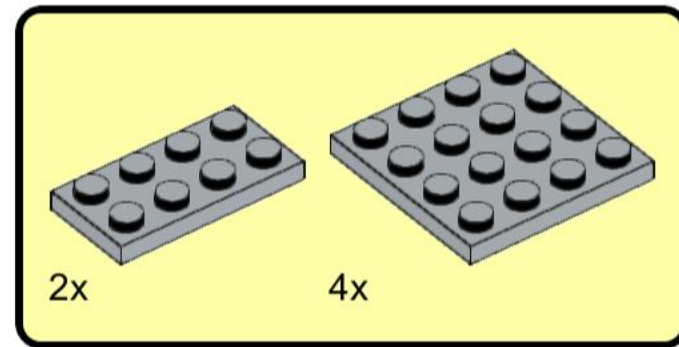
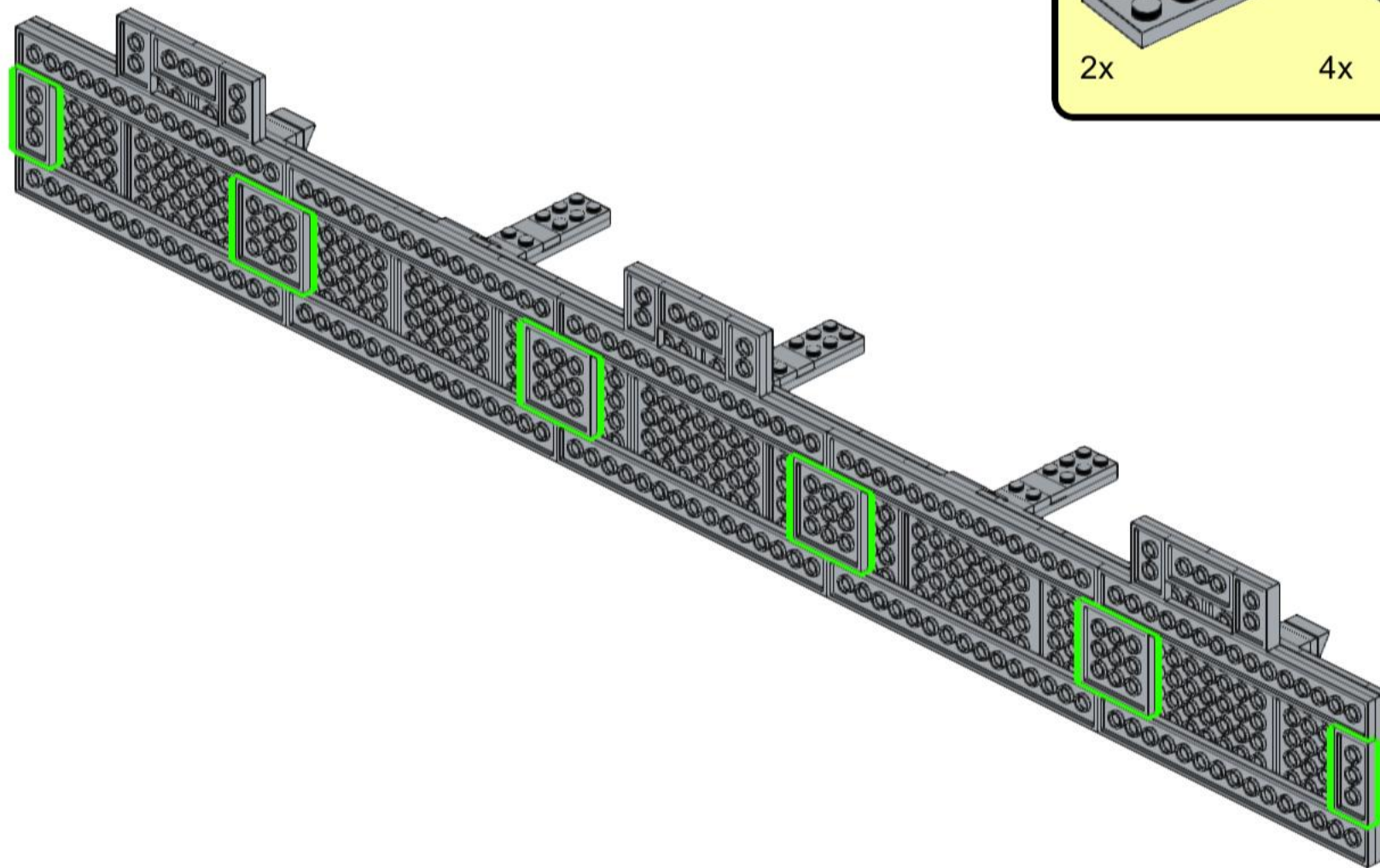


47

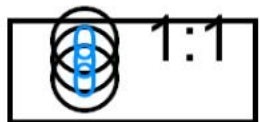
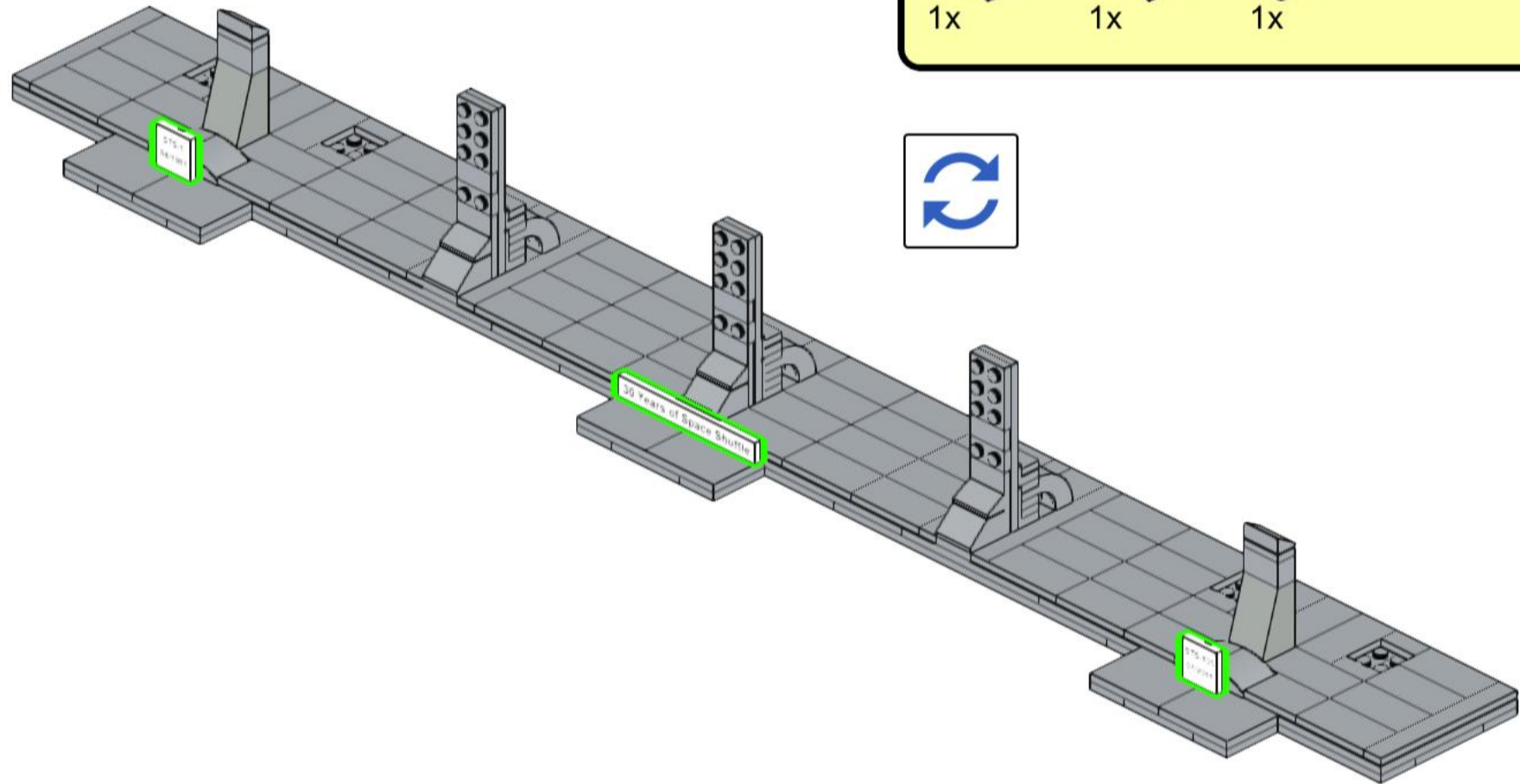
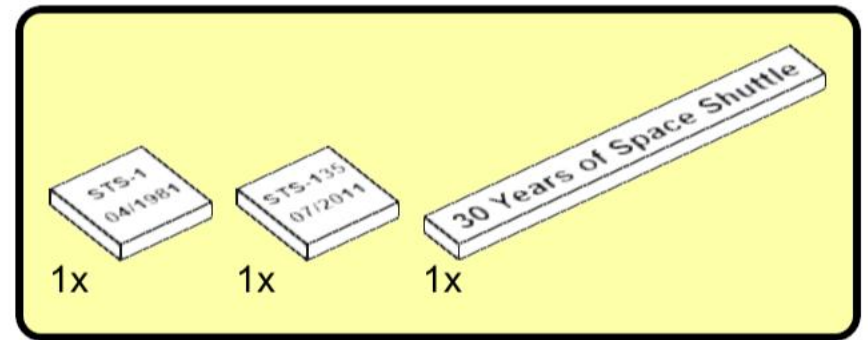


10x

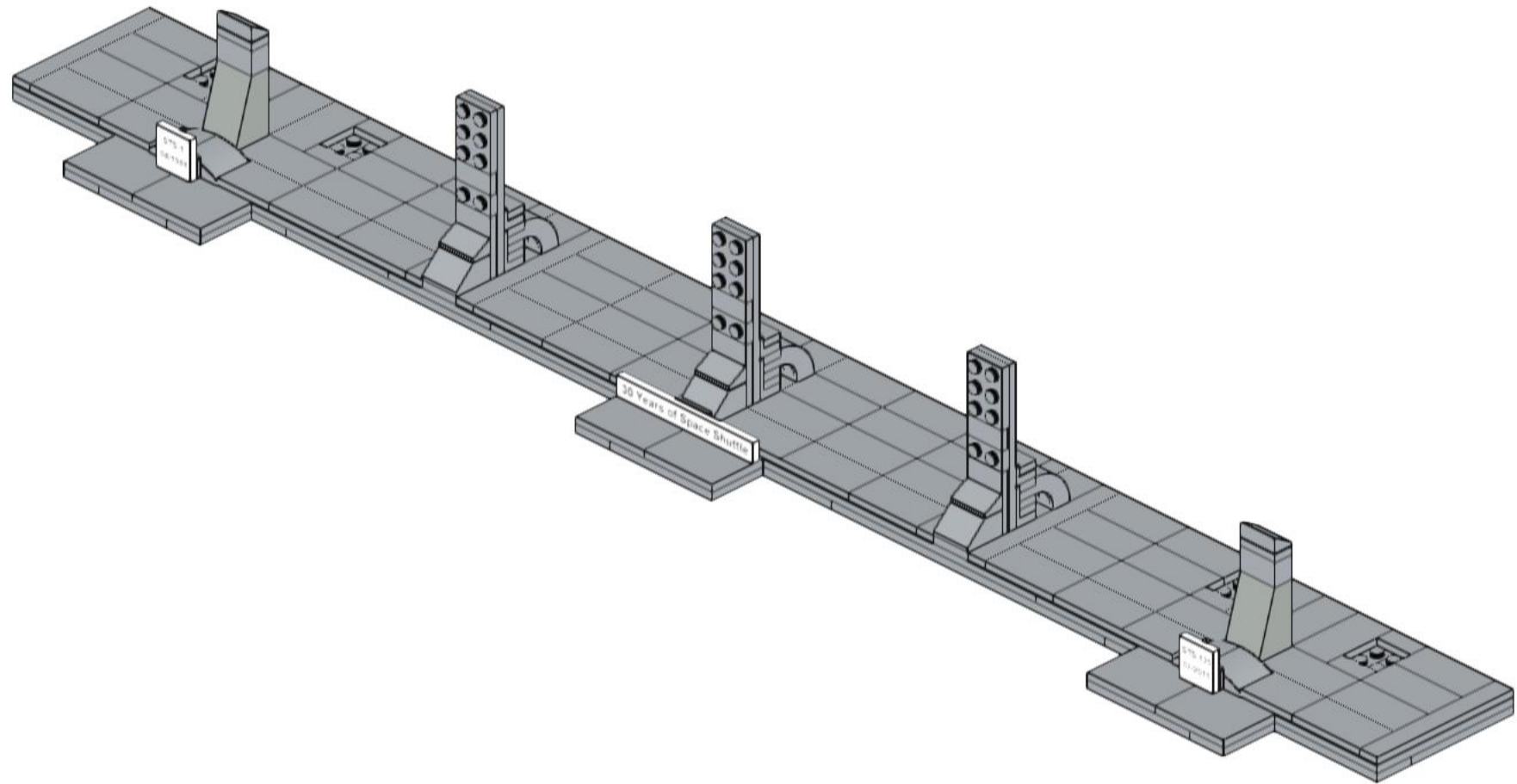
48

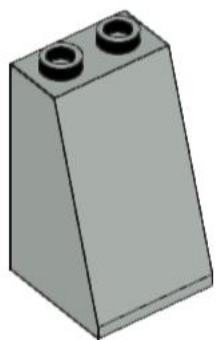


49

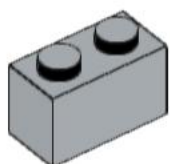


50

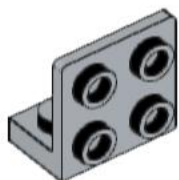




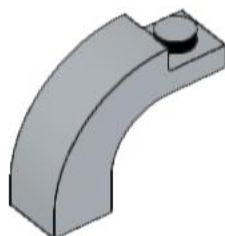
2x
3684a, 9



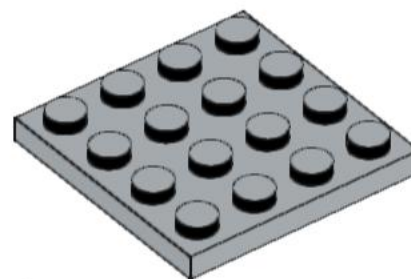
2x
3004, 86



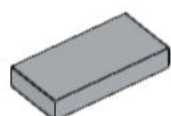
3x
99207, 86



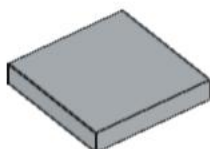
6x
6005, 86



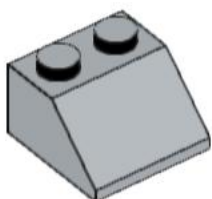
4x
3031, 86



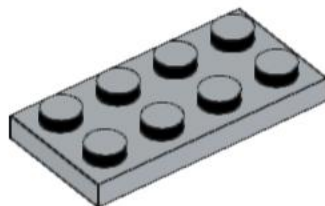
19x
3069b, 86



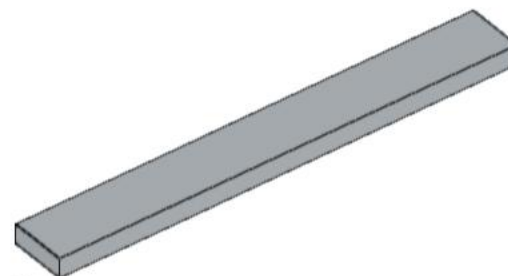
3x
3068b, 86



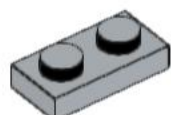
3x
3039, 86



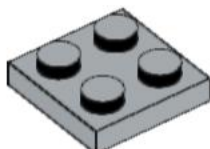
5x
3020, 86



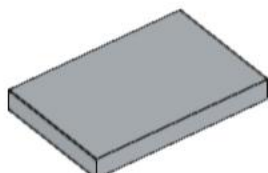
6x
4162, 86



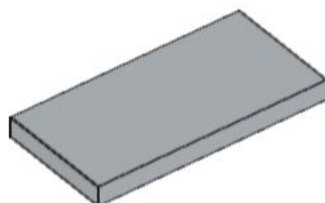
19x
3023, 86



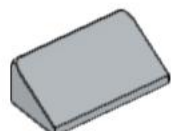
2x
3022, 86



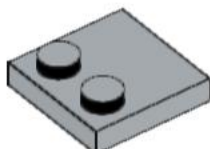
7x
26603, 86



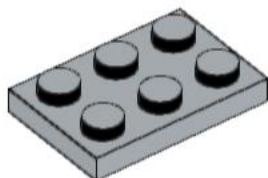
58x
87079, 86



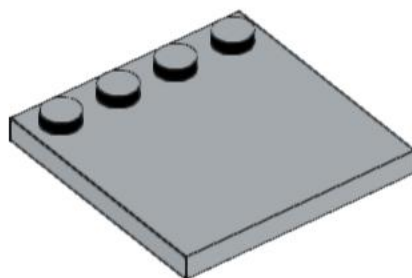
5x
85984, 86



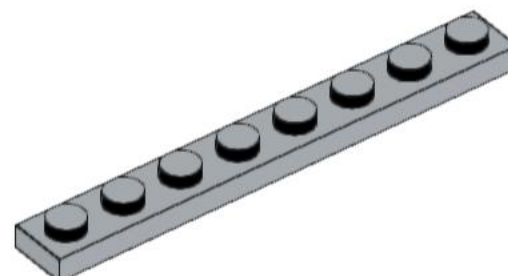
1x
33909, 86



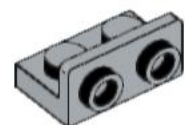
9x
3021, 86



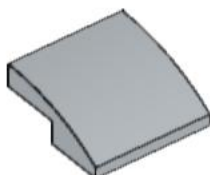
6x
6179, 86



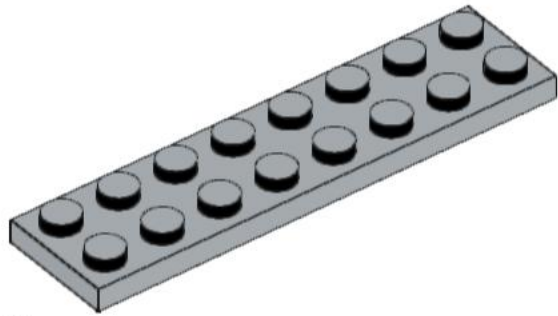
3x
3460, 86



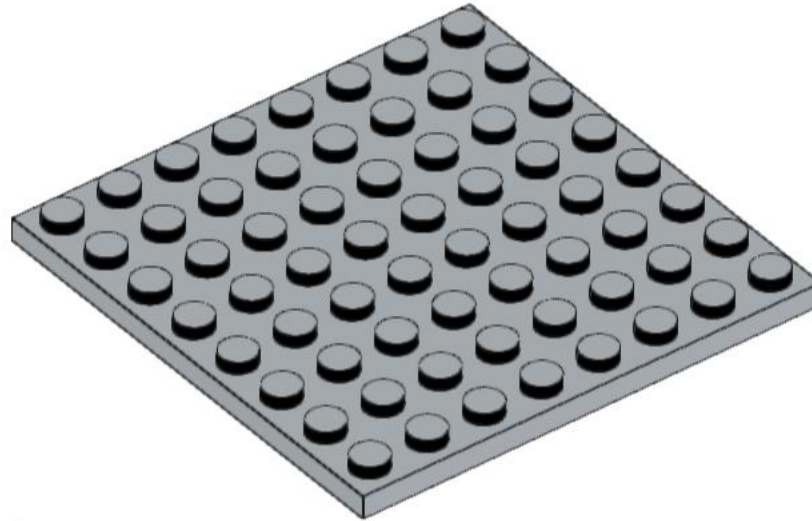
6x
99780, 86



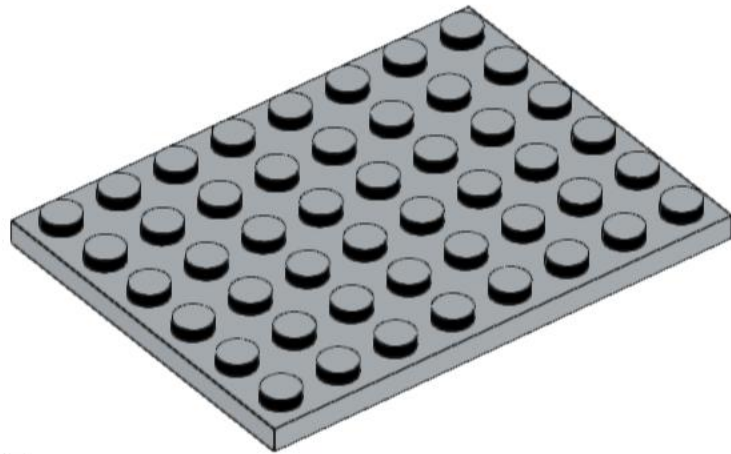
4x
15068, 86



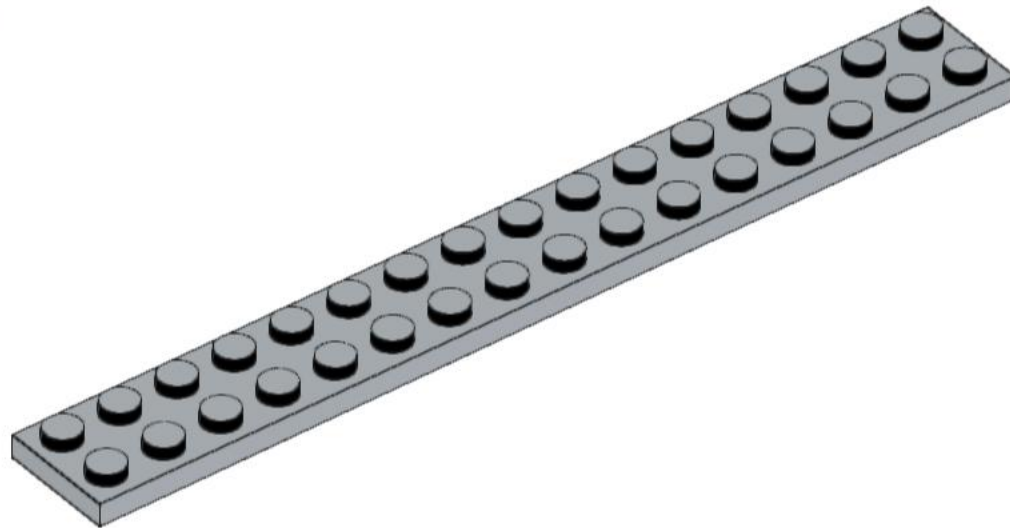
3x
3034, 86



4x
41539, 86



7x
3036, 86



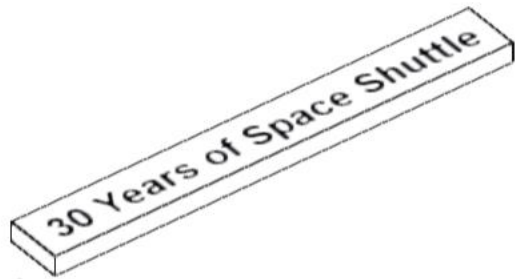
10x
4282, 86



1x



1x



1x